
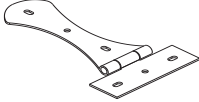
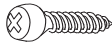
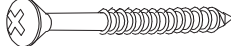


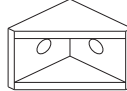
A x 24  Ø8x30mm

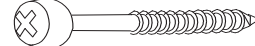
K x 6 


B x 81  Ø3,5x14mm


L x 4  La Lb


C x 28  Ø3,5x30mm

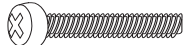
M x 11 

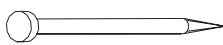
D x 2  Ø4,0x35mm


N x 2 


E x 10  Ø4,5x50mm


O x 1 

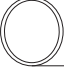
F x 8  ØM4x16mm


P x 48 


G x 16 


Q x 1  1715mm

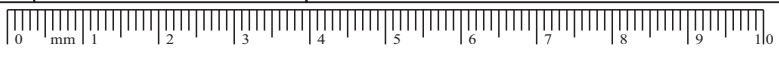
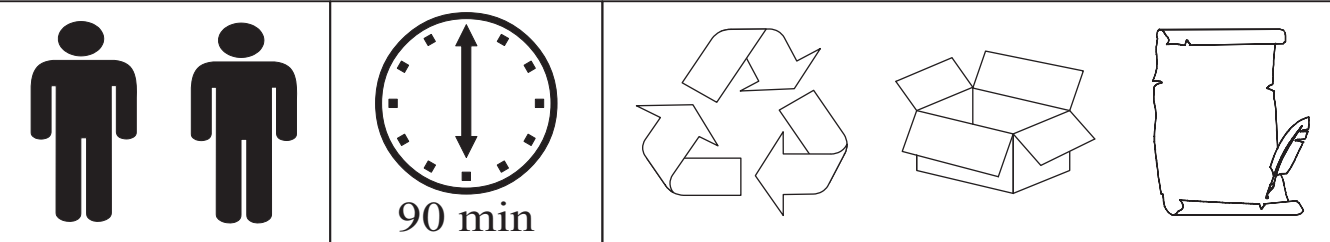
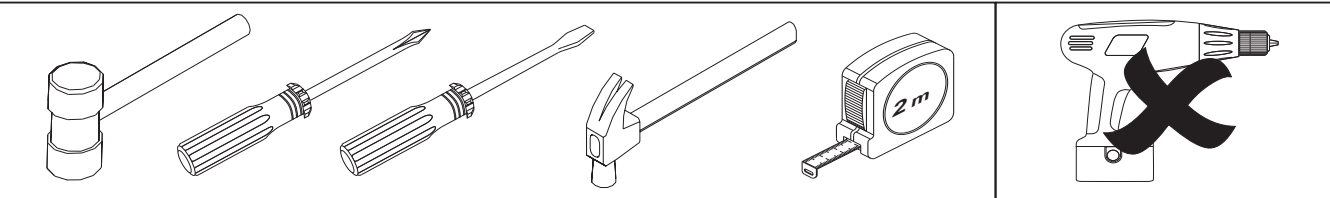
H x 12 

R x 1  956mm

I x 4 

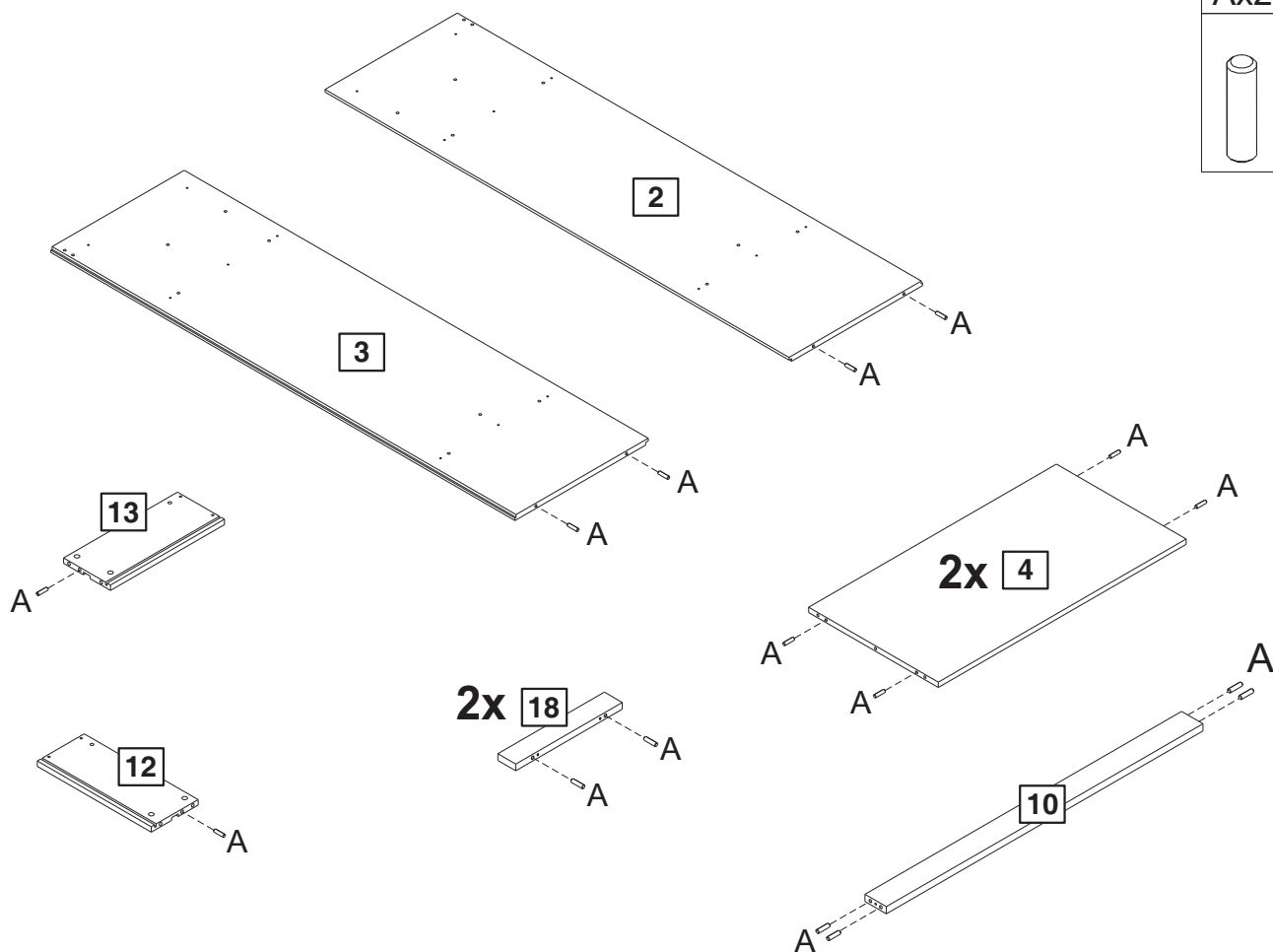
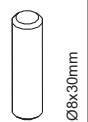
S x 2 

J x 4 



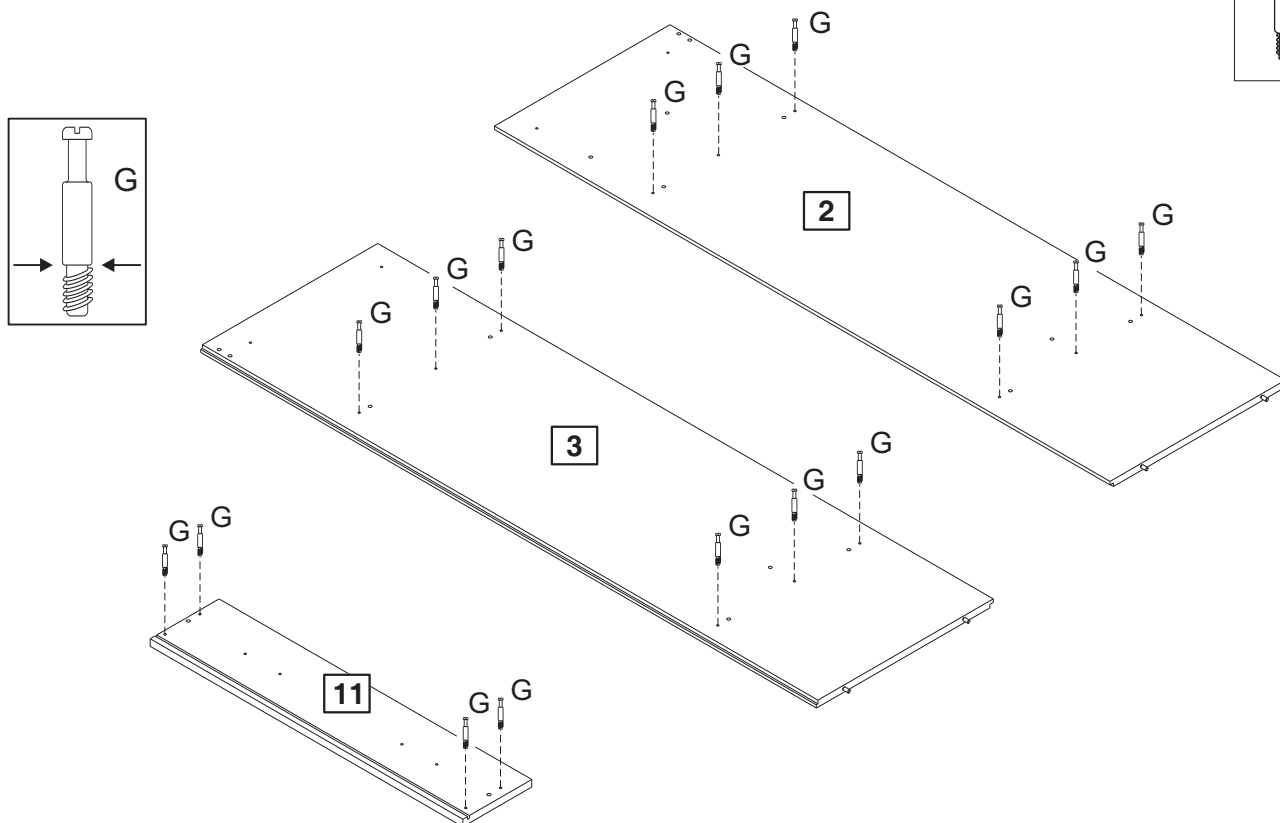
1

Ax22





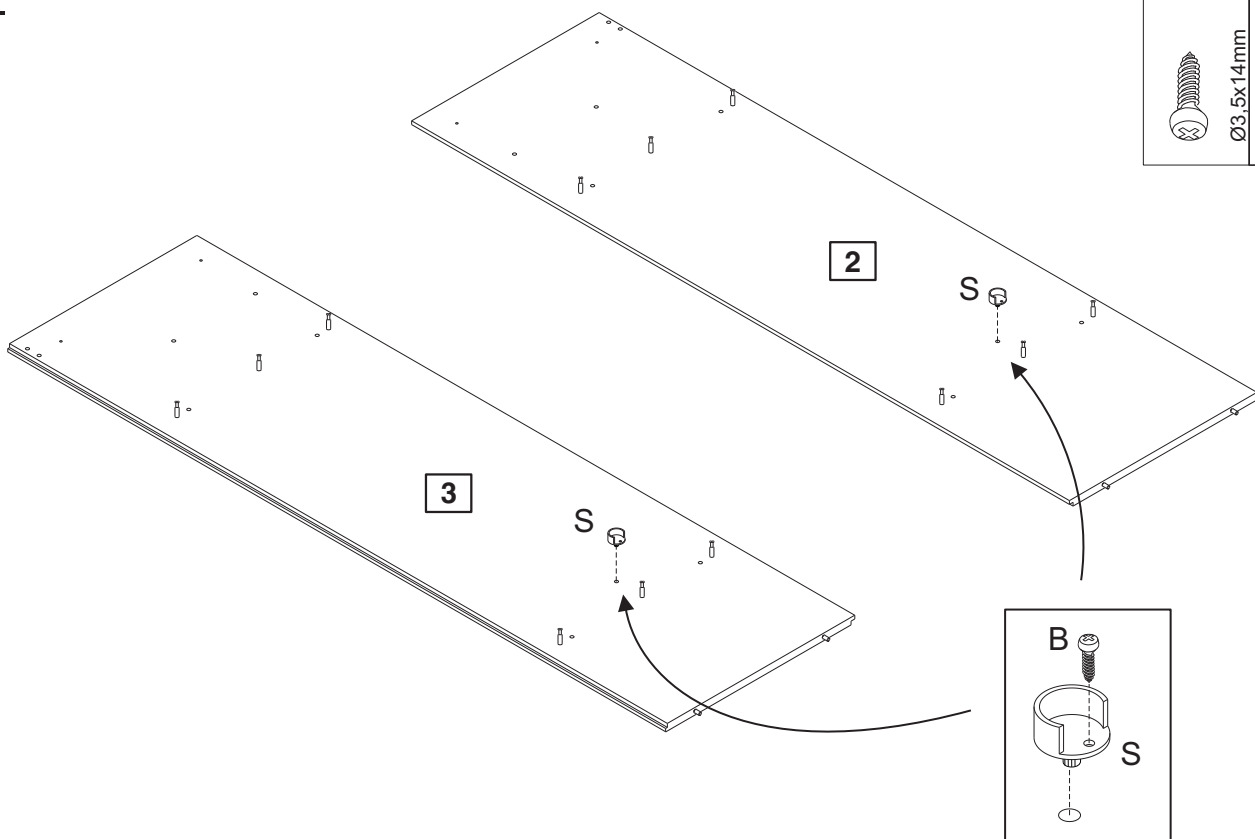
2

Gx16


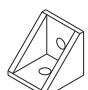


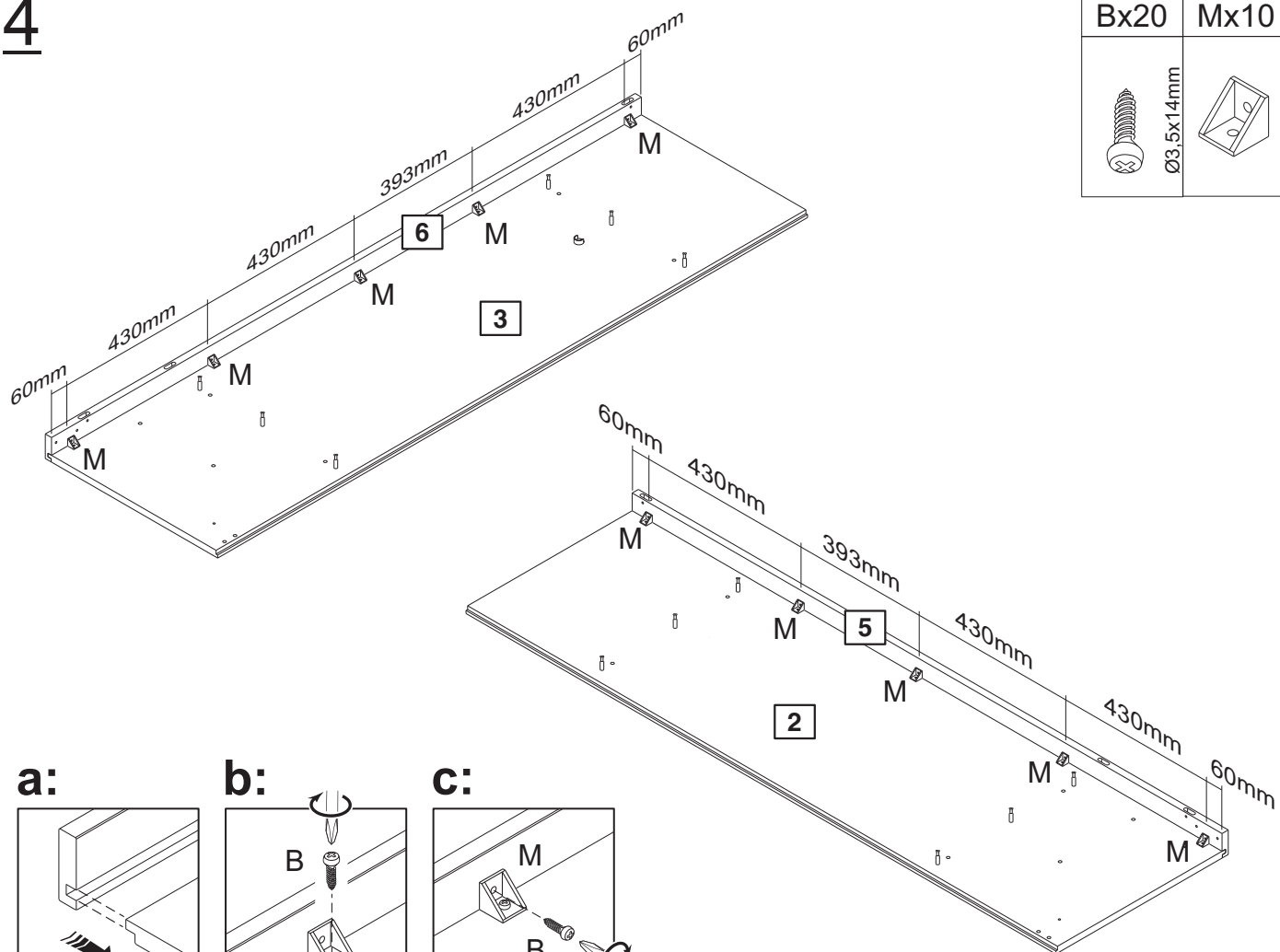
3

Bx2	Sx2
	
Ø3.5x14mm	

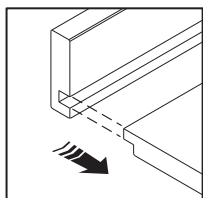


4

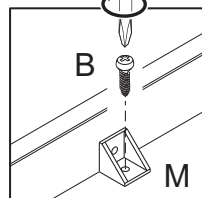
Bx20	Mx10
	
Ø3.5x14mm	



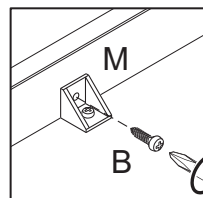
a:



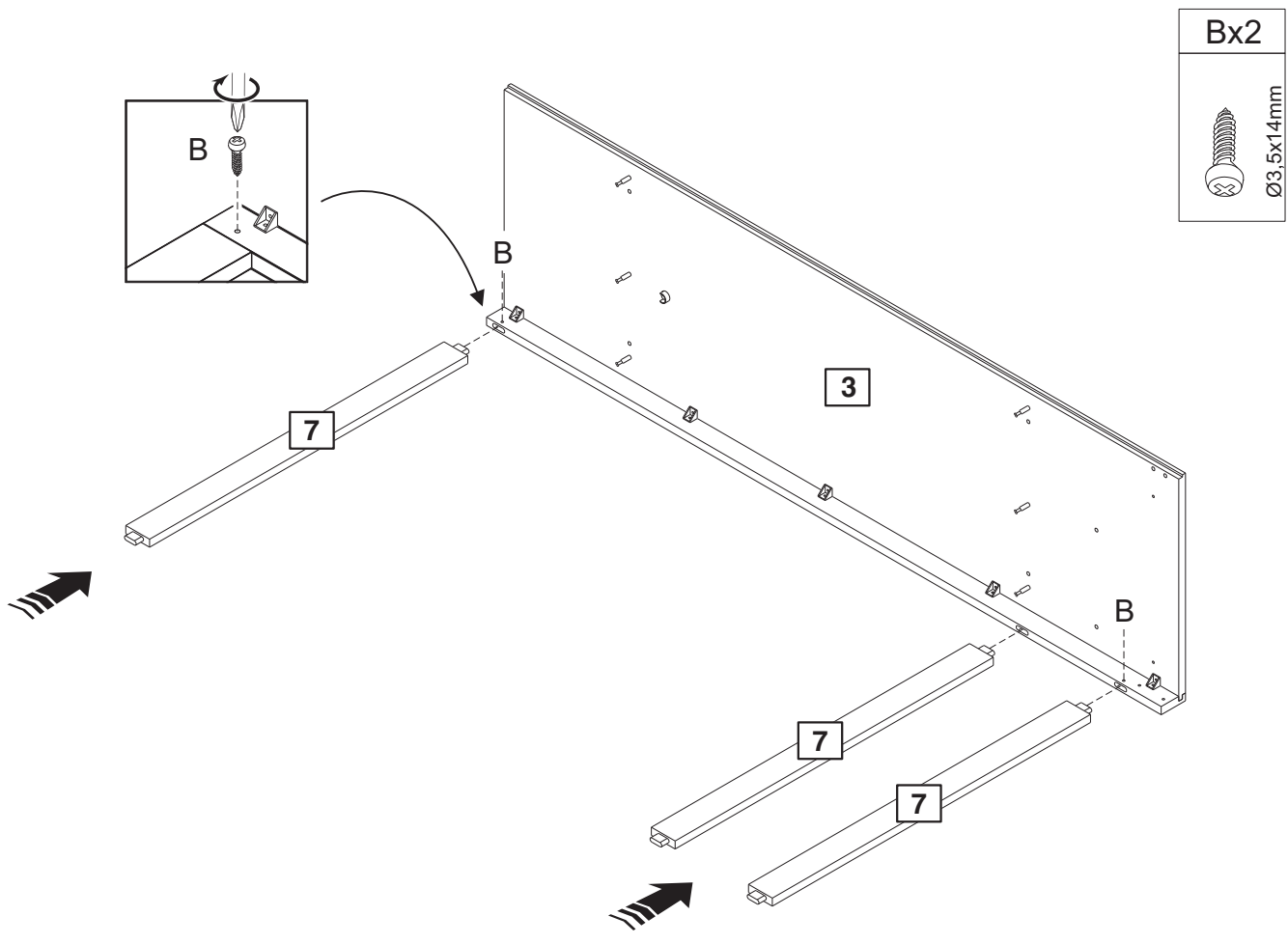
b:



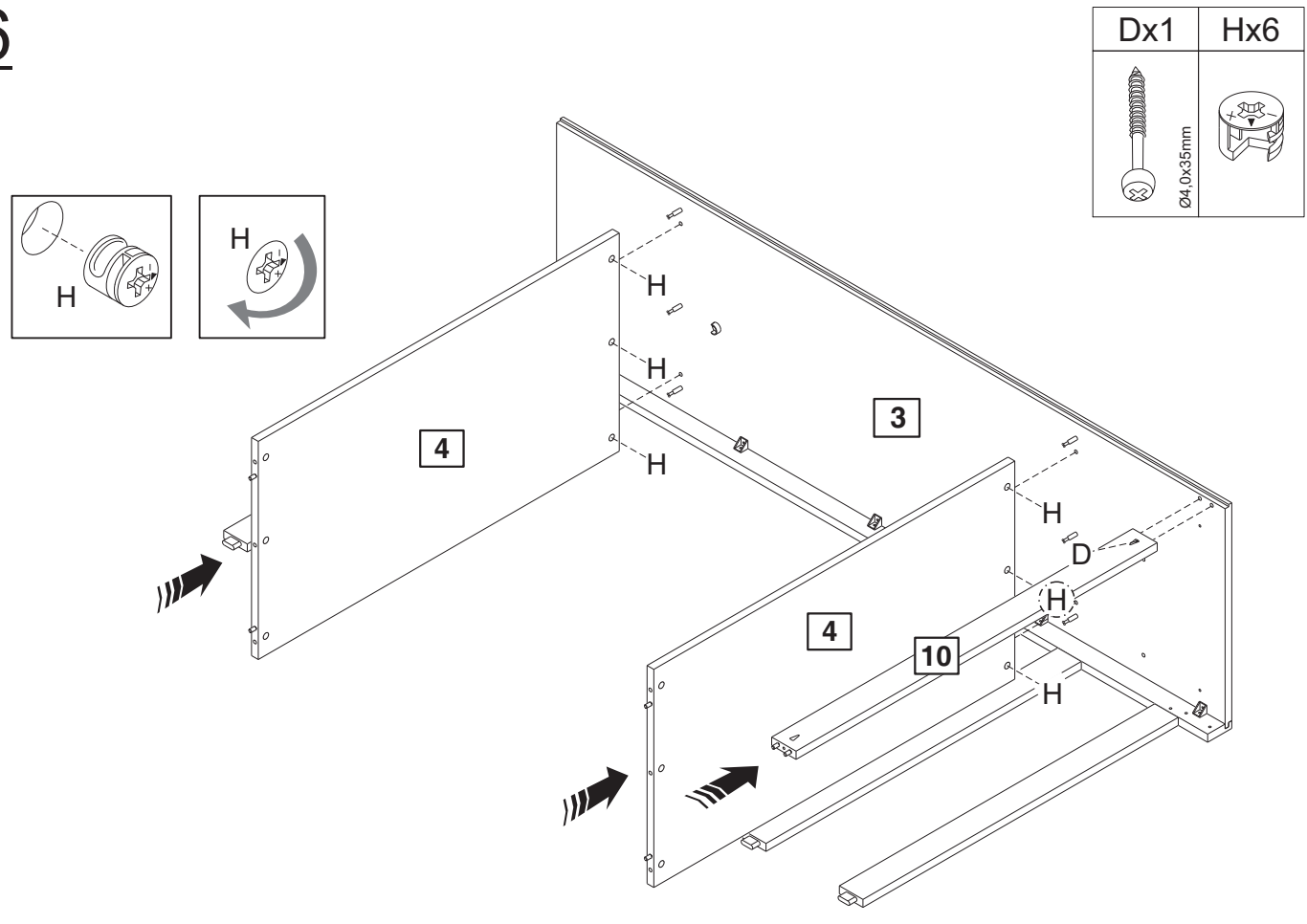
c:



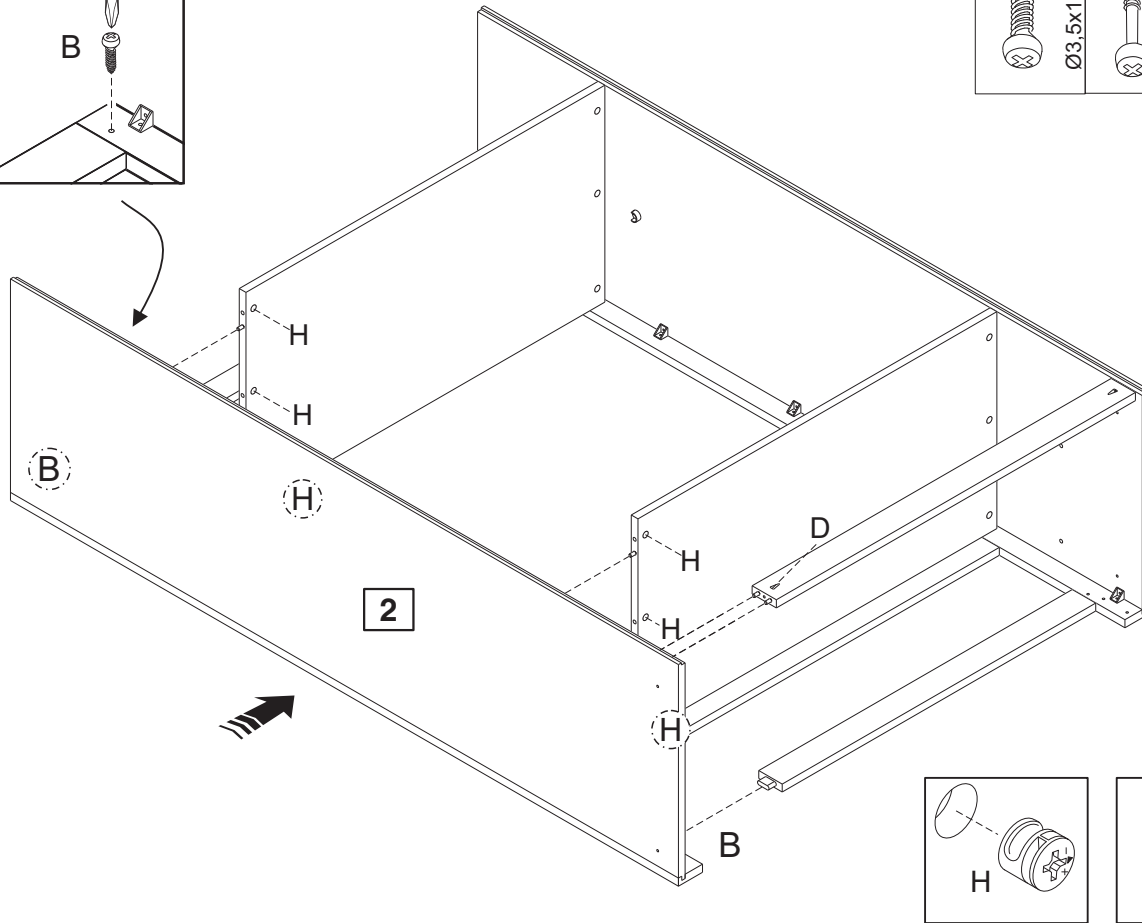
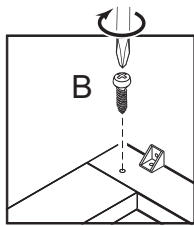
5

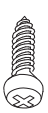




6

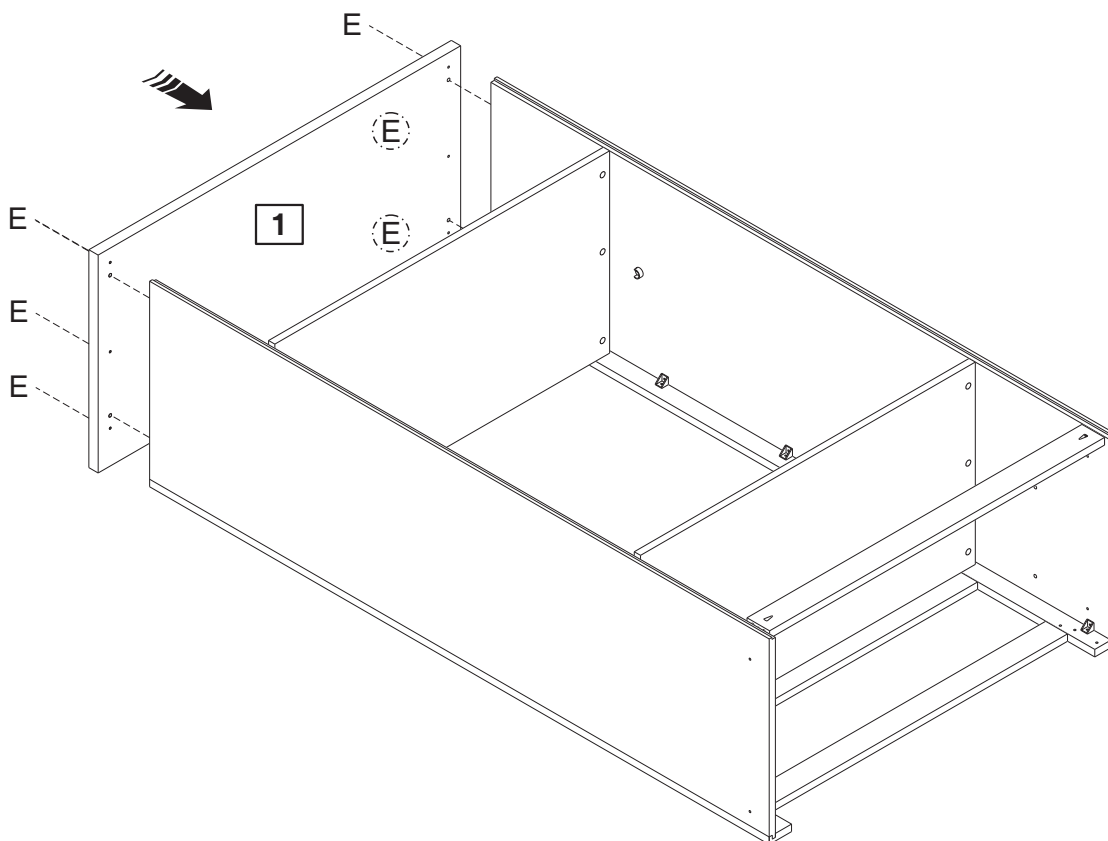



7



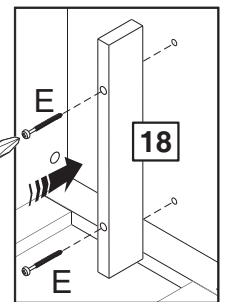
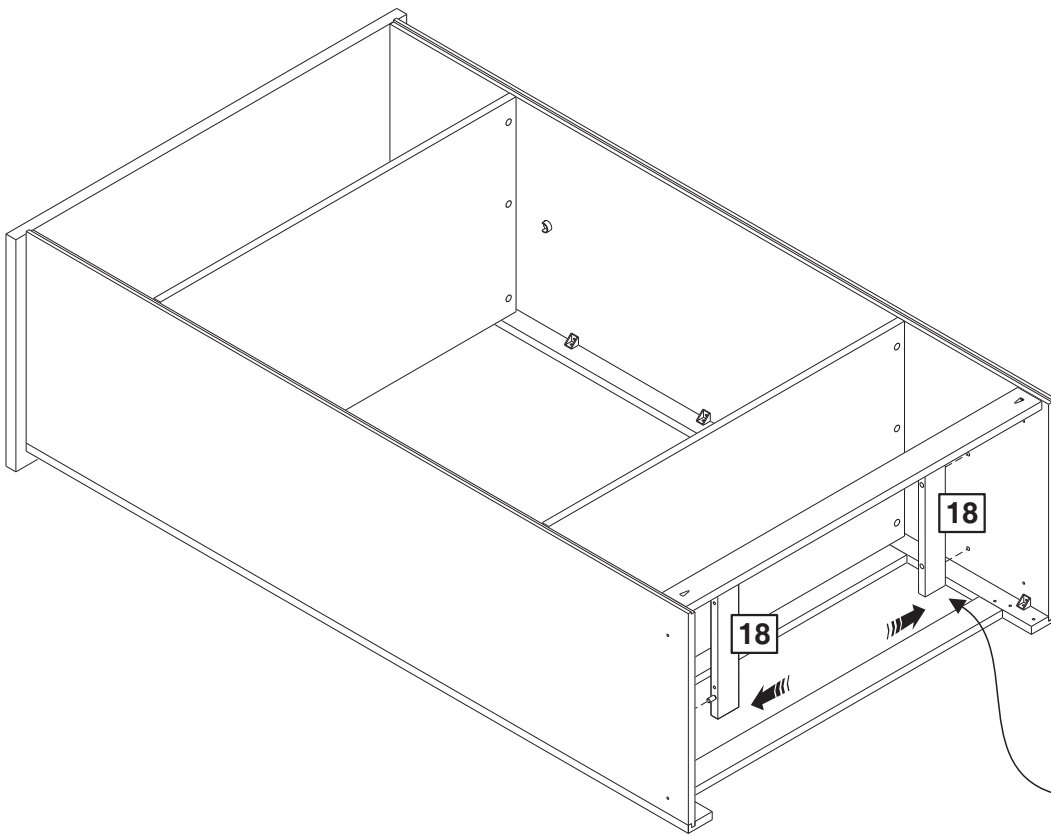
Bx2	Dx1	Hx6
 Ø3,5x14mm	 Ø4,0x35mm	

8

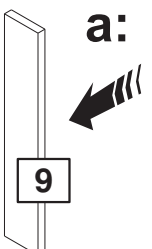
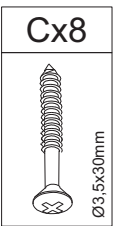
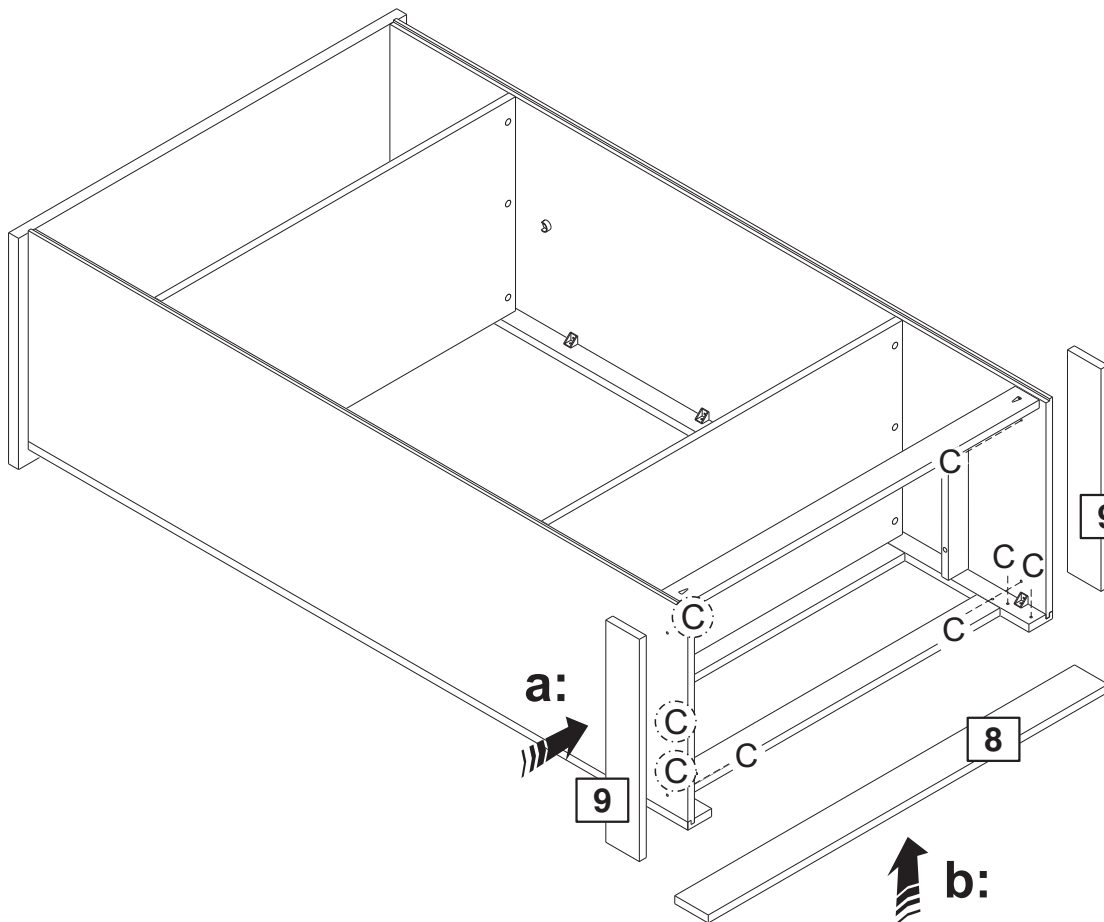


Ex6
 Ø4,5x50mm


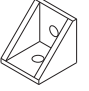
9

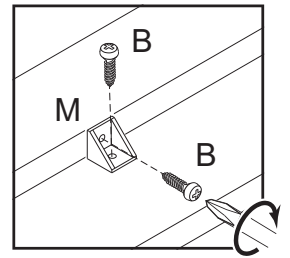
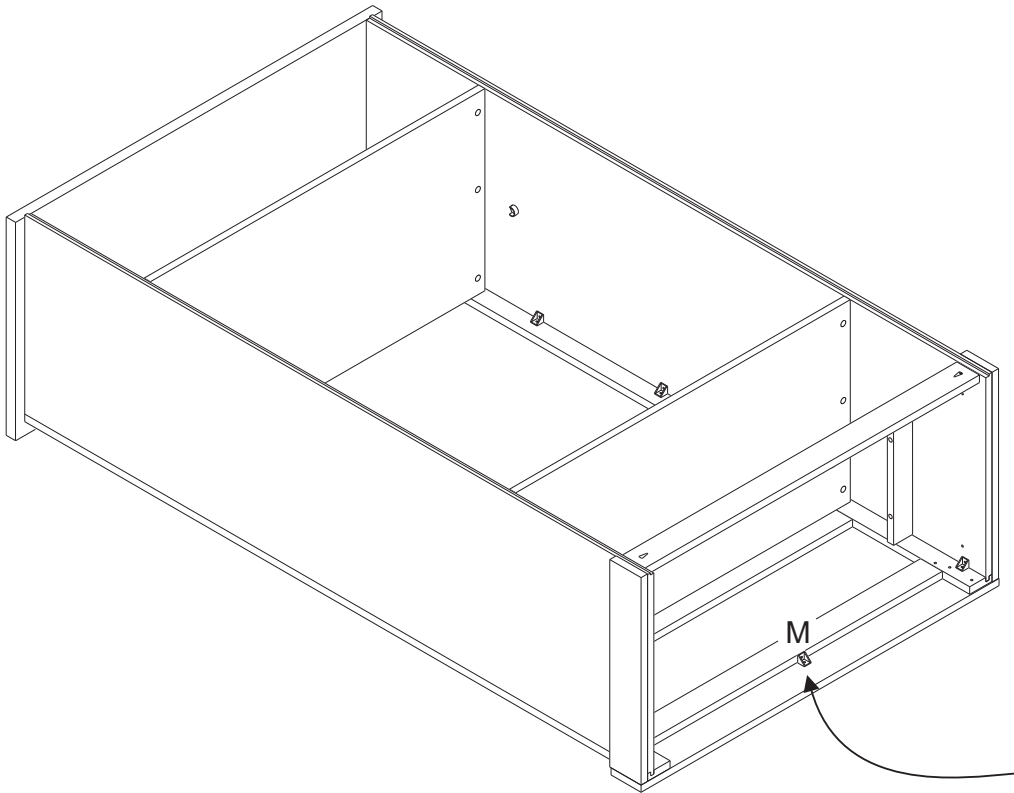


10




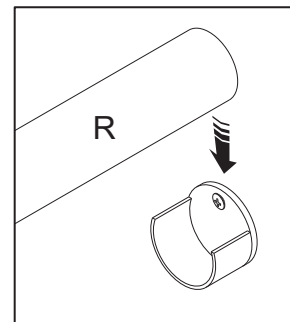
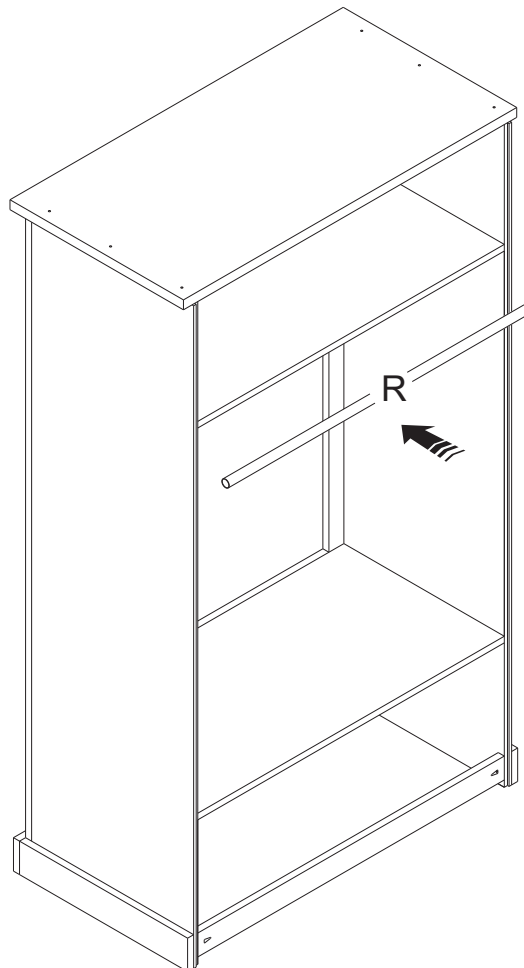
11

Bx2	Mx1
 Ø3.5x14mm	

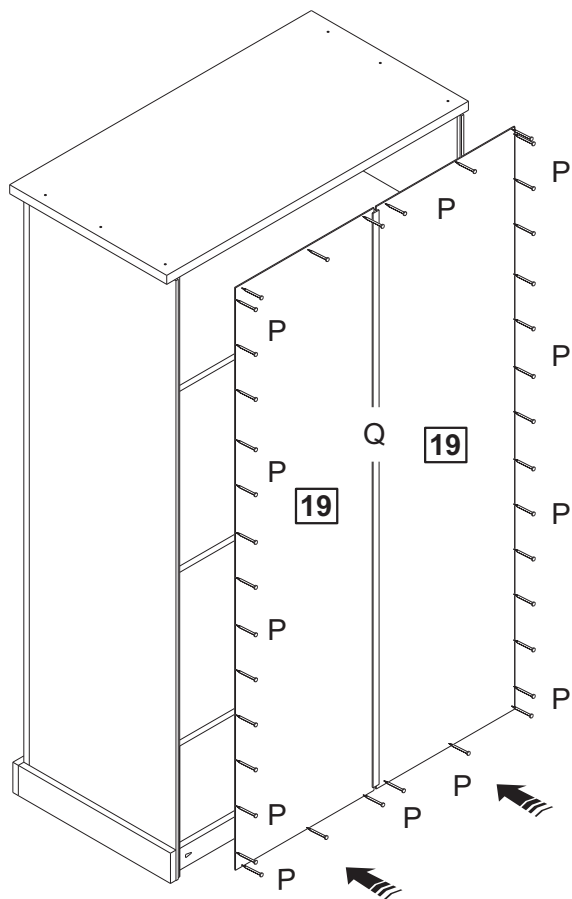


12

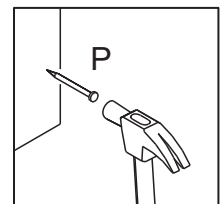
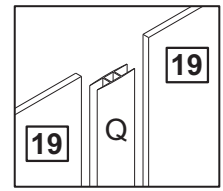
Rx1




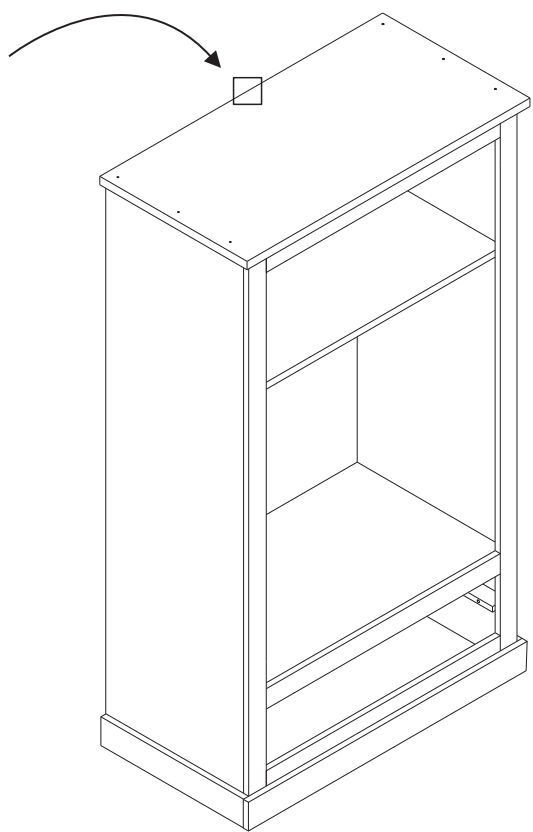
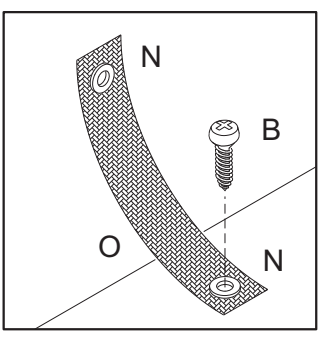
13



Px48	Qx1

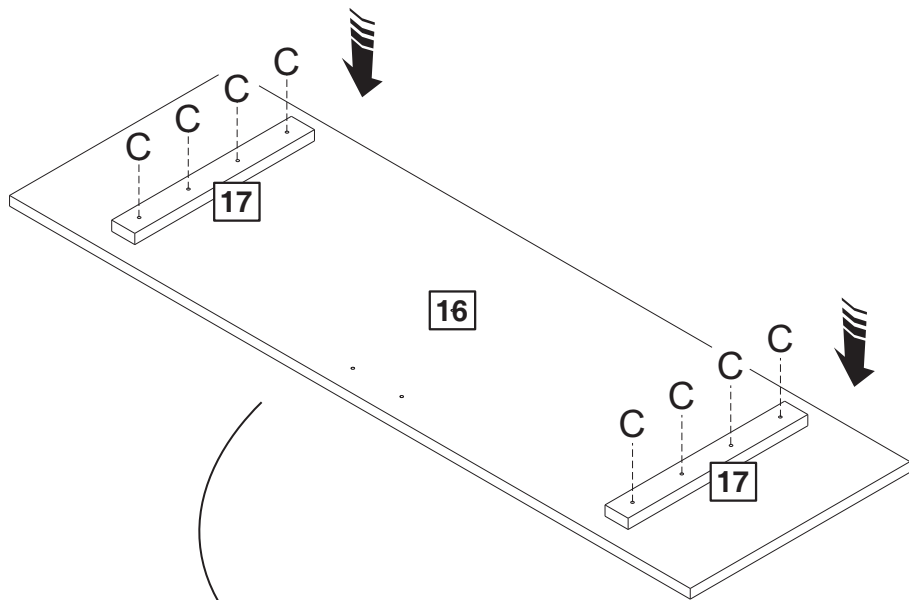


14

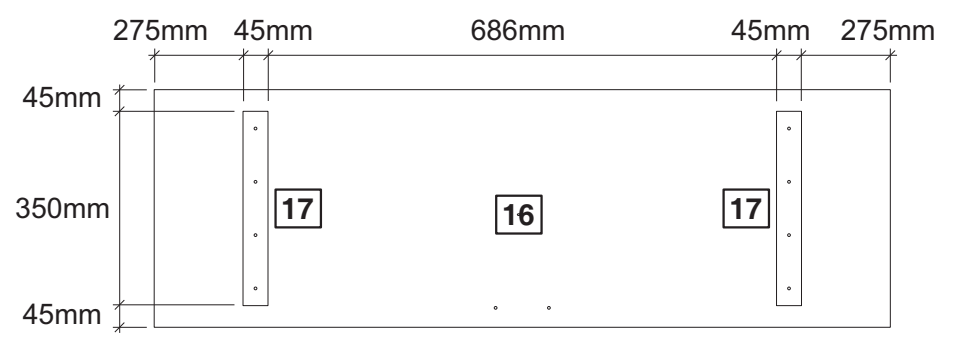
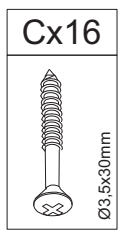


Bx1	Nx2	Ox1
 Ø3,5x14mm		

15

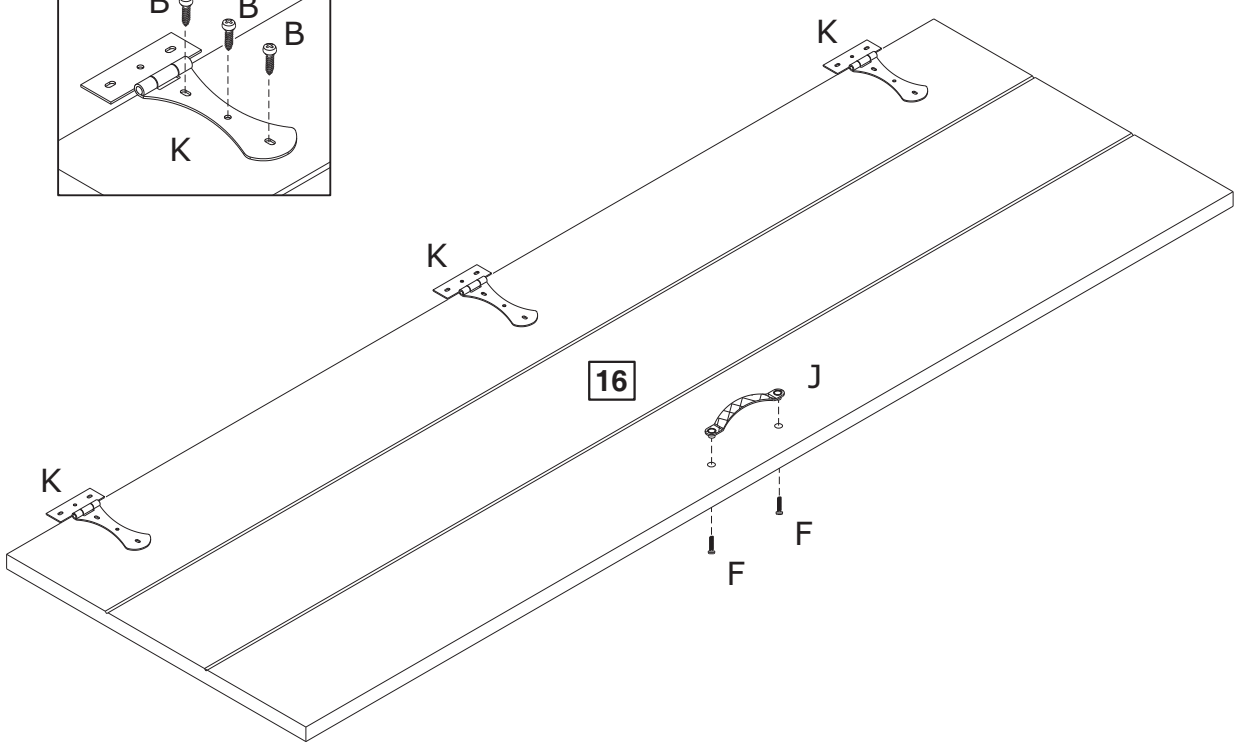
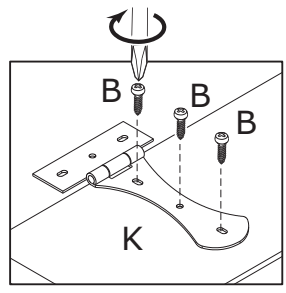
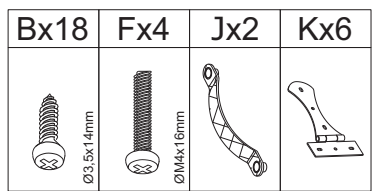


2x



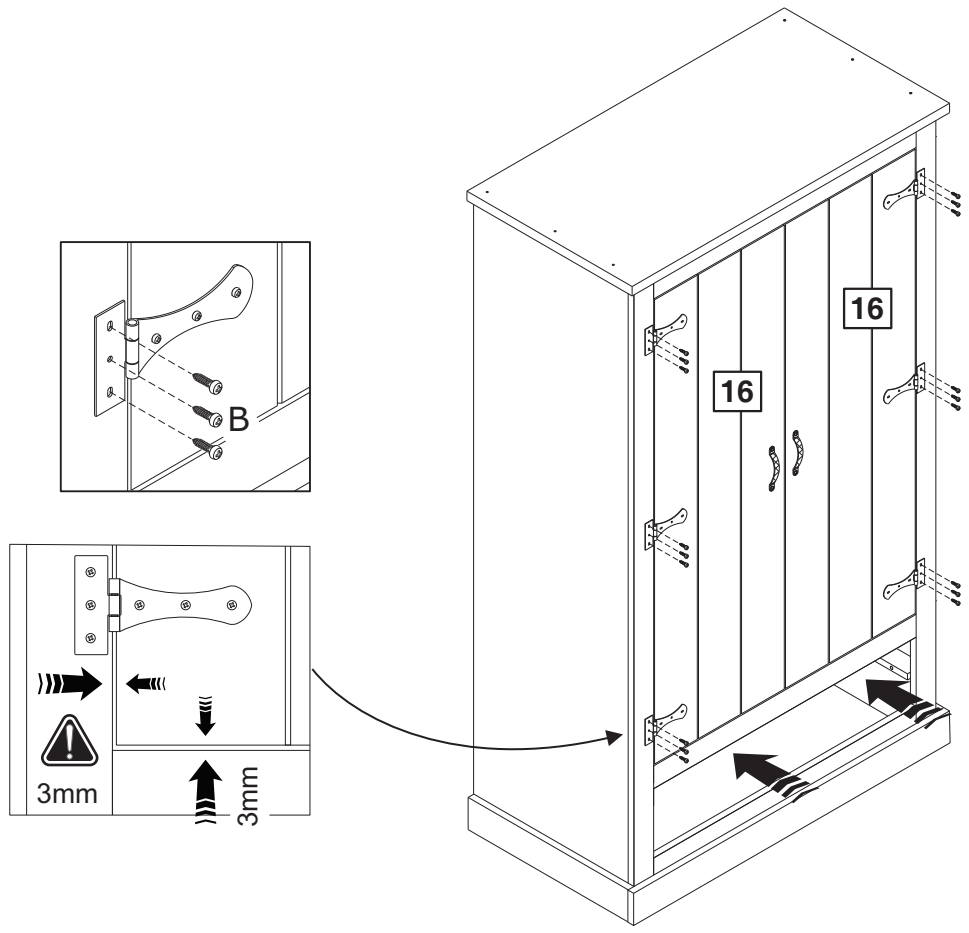
16

2x



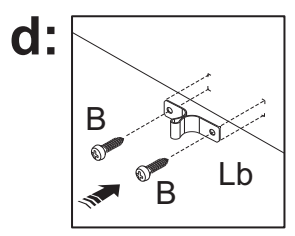
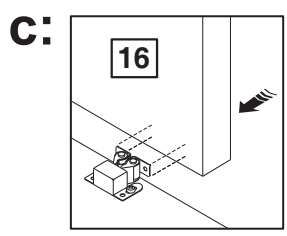
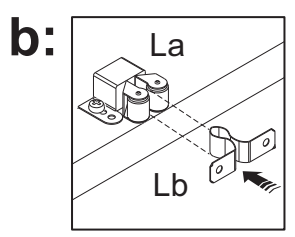
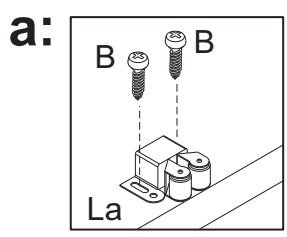
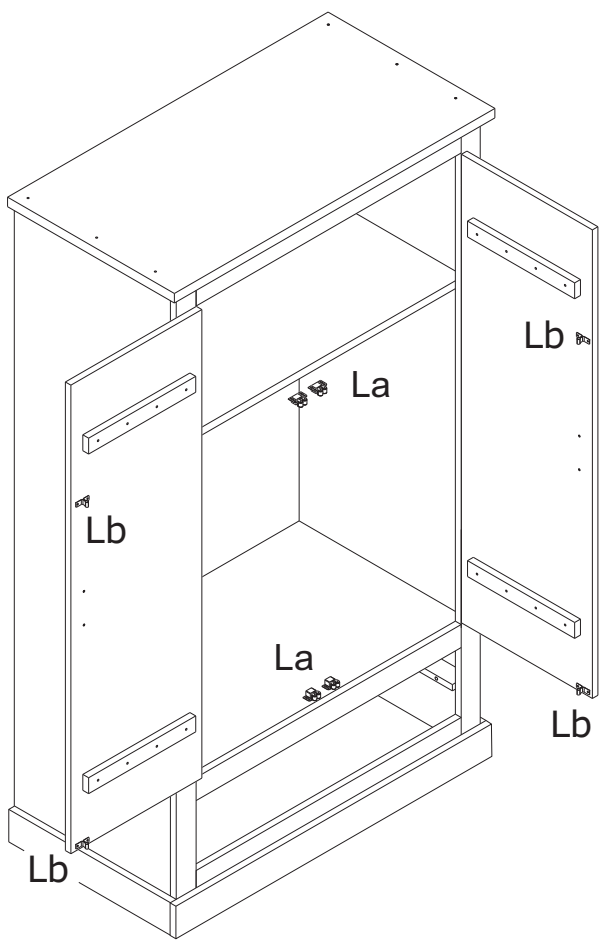
17

Bx18



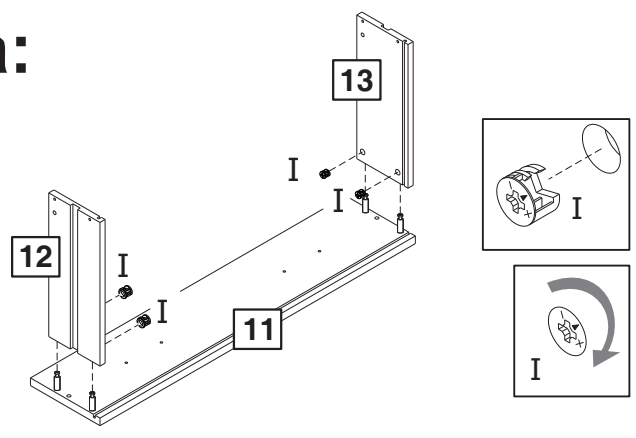
18

Bx16	Lax4	Lbx4

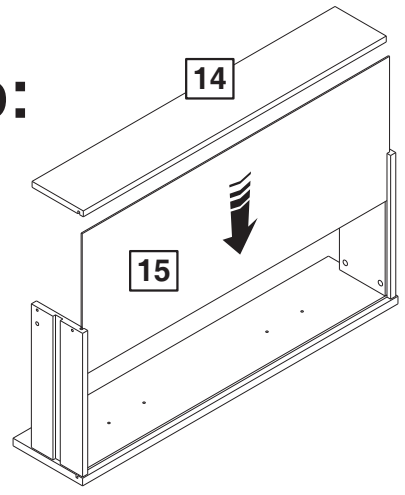


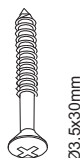



19

a:

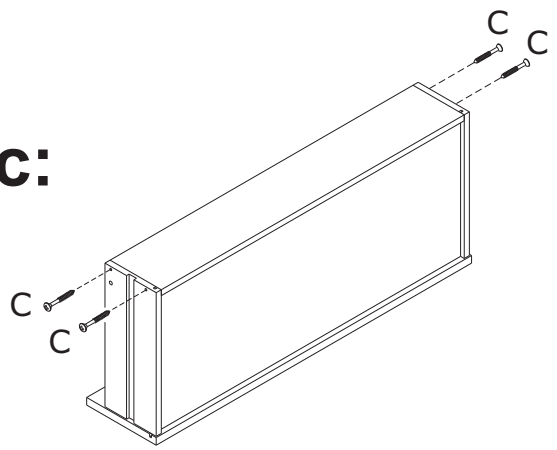


b:

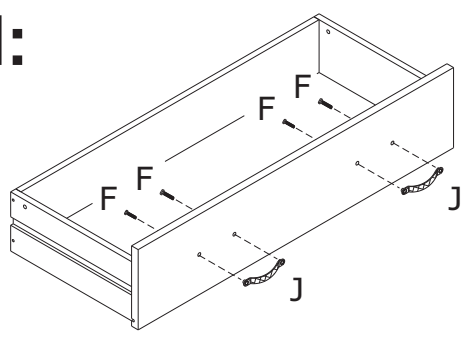


Cx4	Fx4
 Ø3,5x30mm	 ØM4x16mm
Ix4	Jx2
	

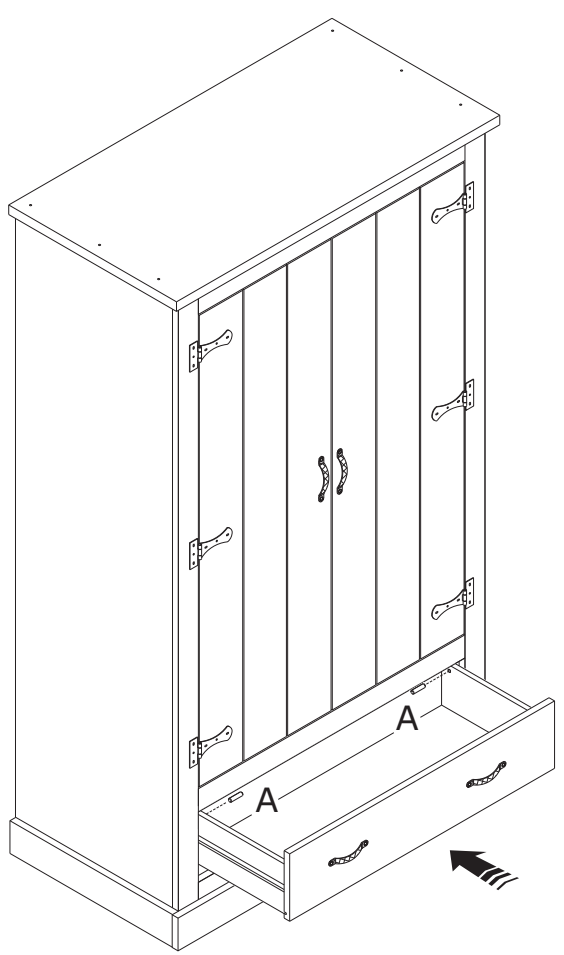
c:




d:



20



Ax2
 Ø8x30mm

