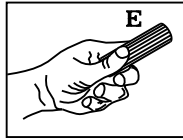
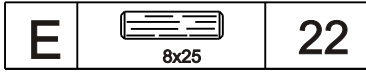
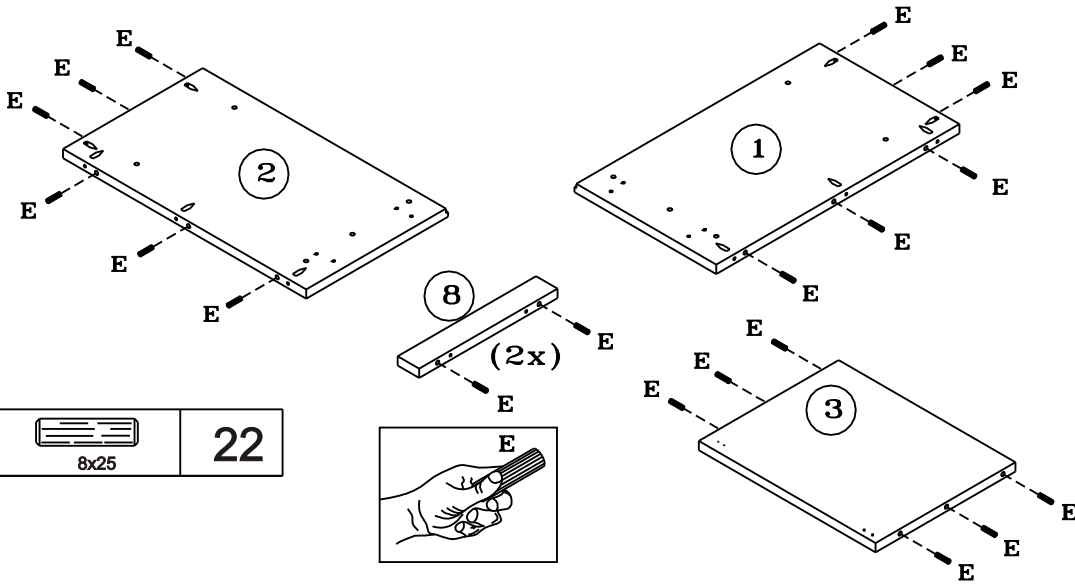


A	3,5 x 30	16
B	3,0 x 30	08
C	3/16" x 3/4"	02
D	10 x 10	16
E	8 x 25	24

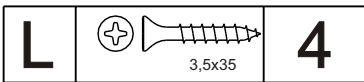
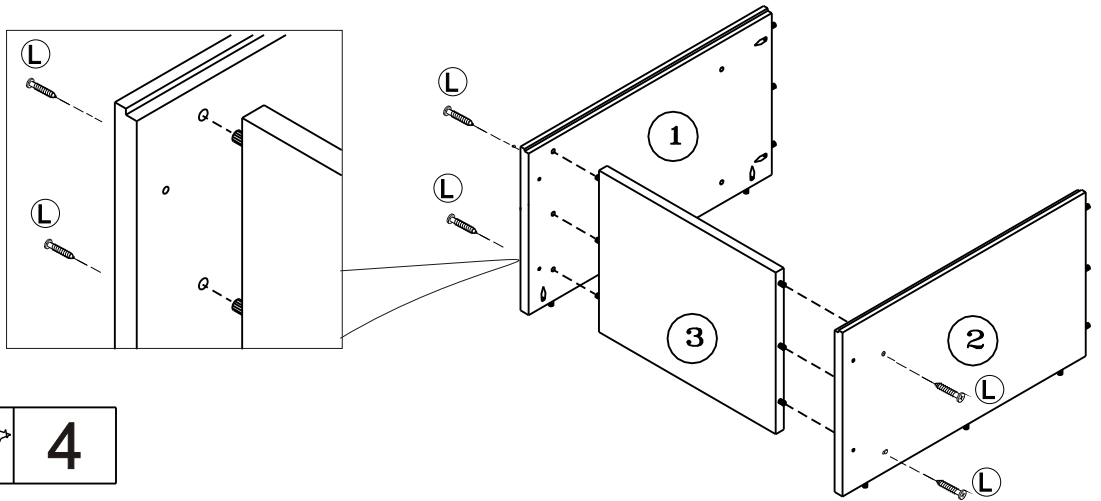
F		02
G		04
H	4,0 x 40	04
I		01

J		02
K	3,5 x 18	16
L	3,5 x 35 CC	04
M	3,5 x 22 CC	01
N		01
O		02

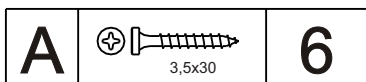
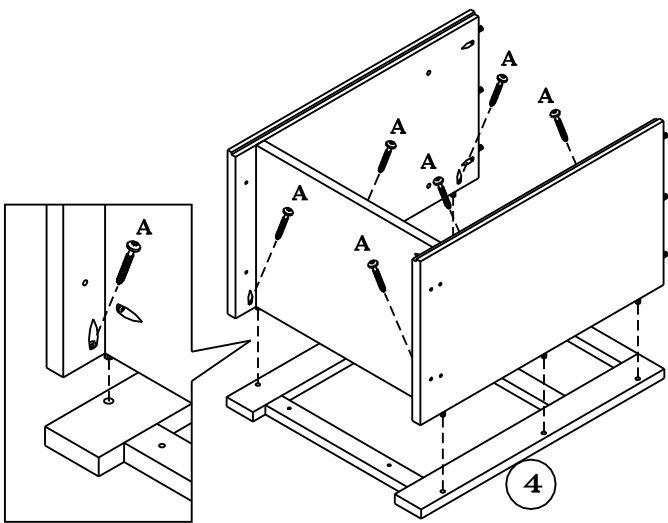
01



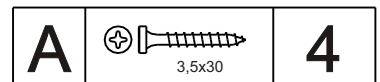
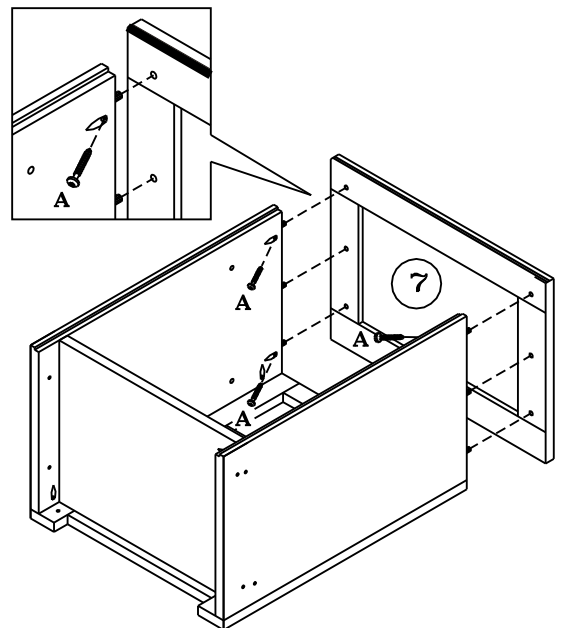
02



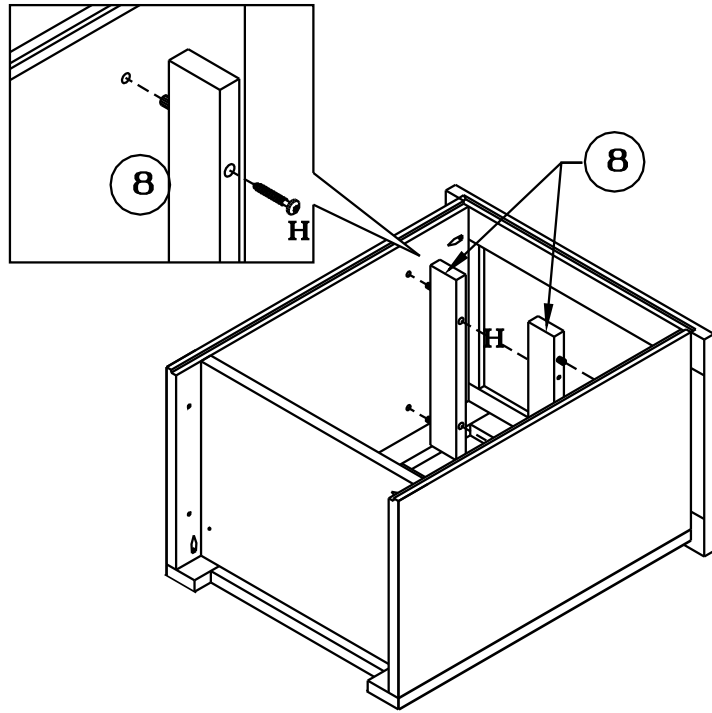
03

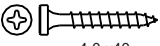


04

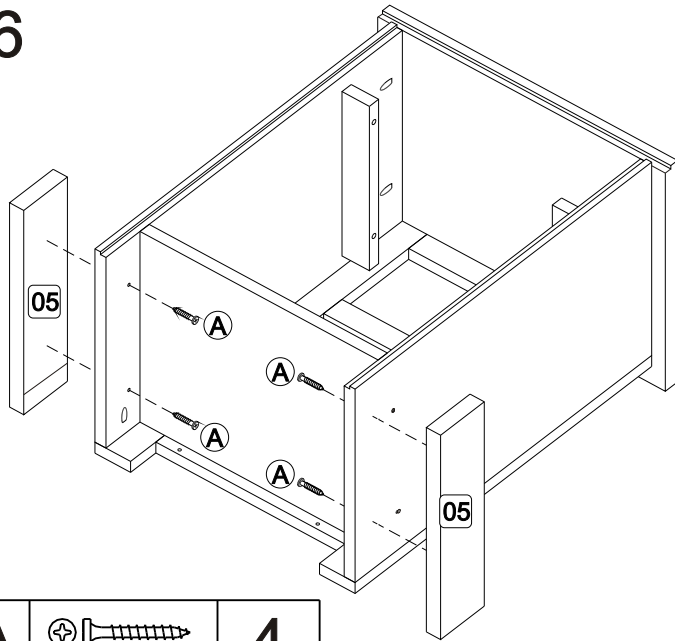


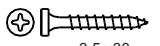
05



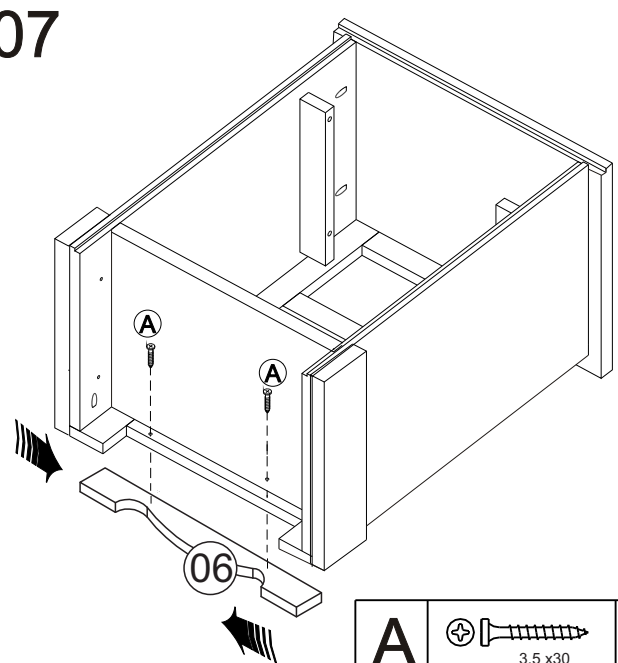
H		4
4,0 x40		

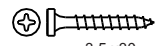
06



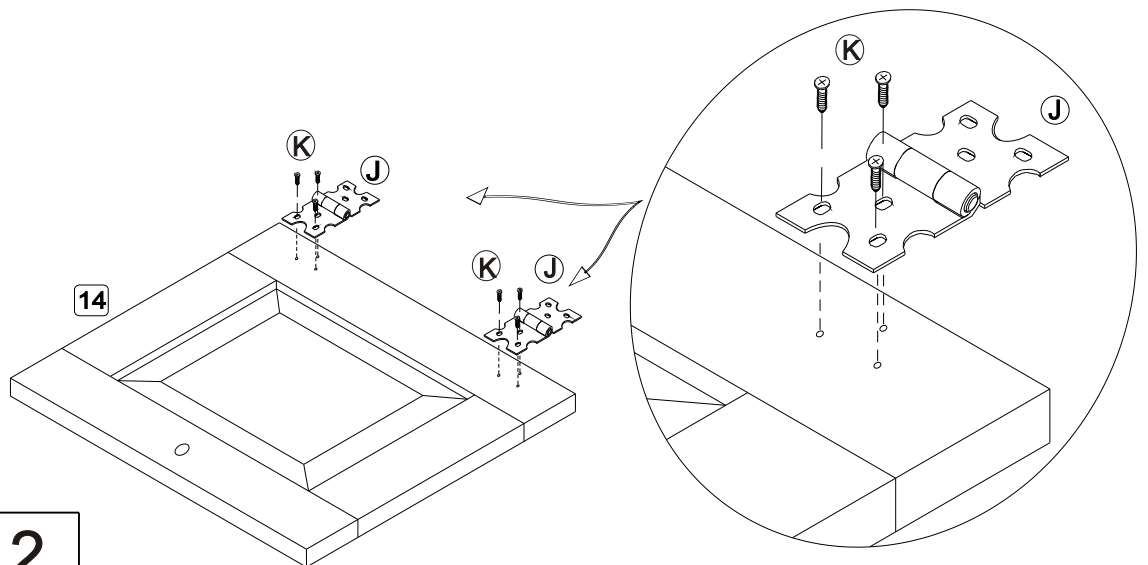
A		4
3,5 x30		


07




A		2
3,5 x30		

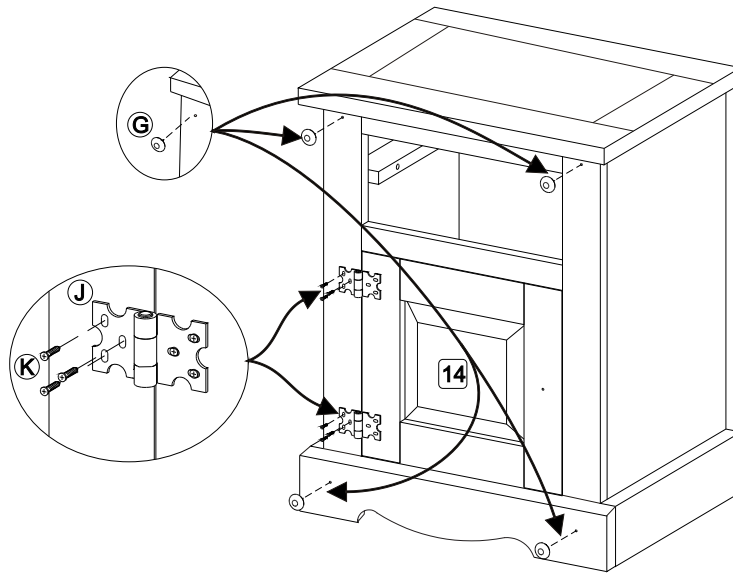
08




J		2
---	---	---

K		6
3,5 x16		

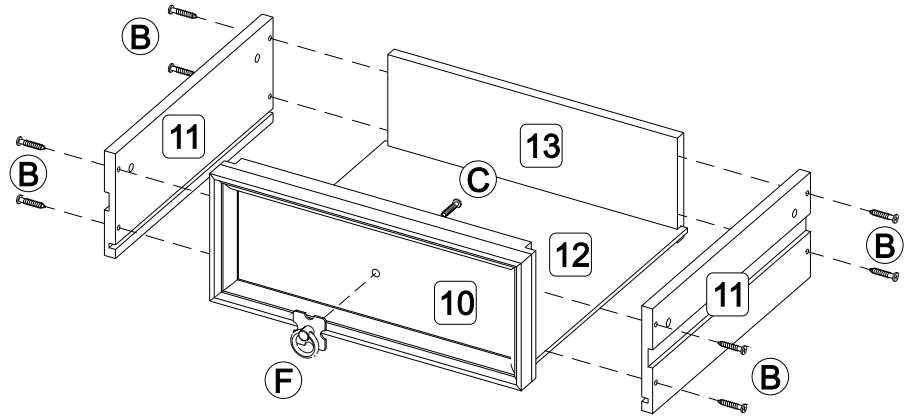
09

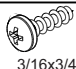


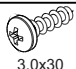
K	 3,5 x16	6
----------	--	----------


G		4
----------	---	----------

10

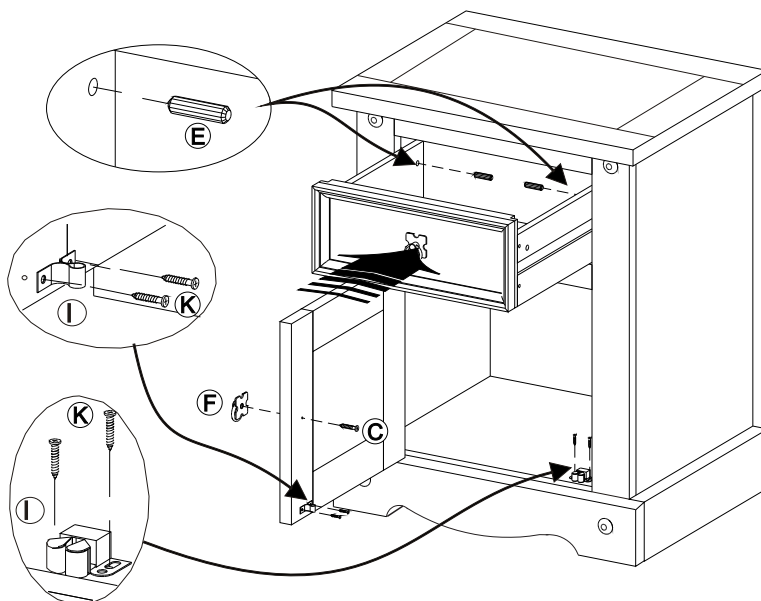



C	 3/16x3/4"	1
----------	--	----------


B	 3,0x30	8
----------	---	----------

F		1
----------	---	----------

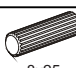
11

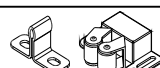


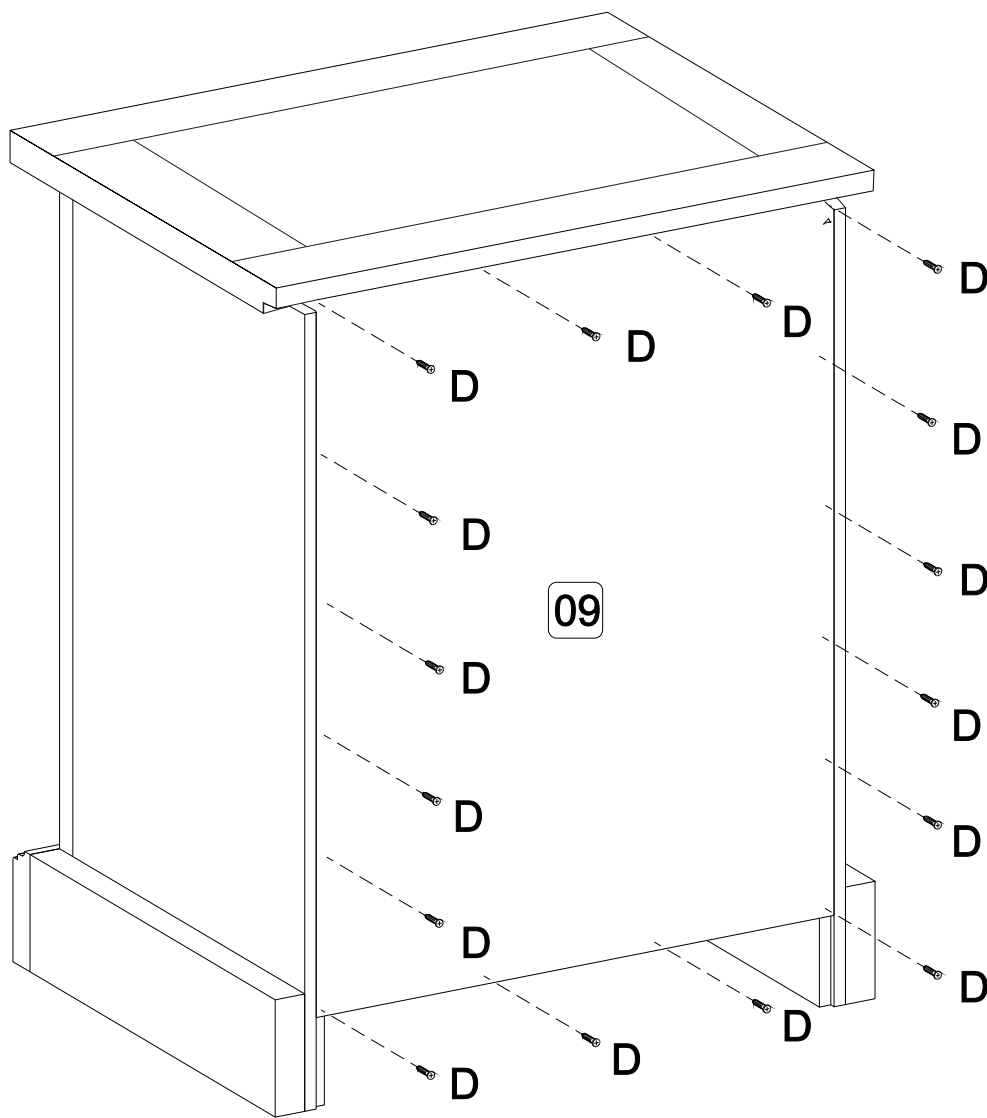
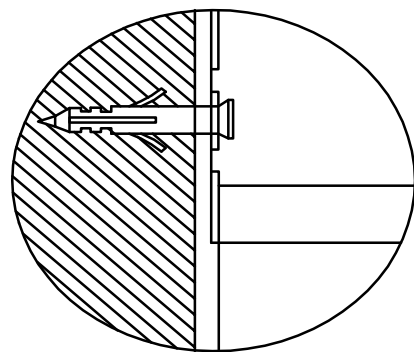
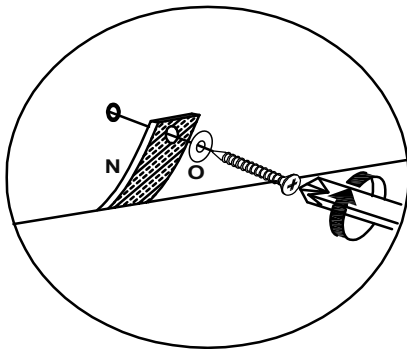
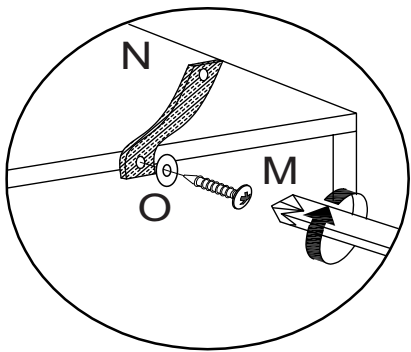
K	 3,5 x16	4
----------	--	----------

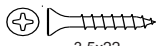


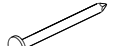
F		1
----------	---	----------

C	 3/16x3/4"	1
----------	--	----------

E	 8x25	2
----------	---	----------

I		1
----------	---	----------



M	 3,5x22	01
N		01
O		02
D	 10x10	16