





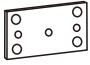

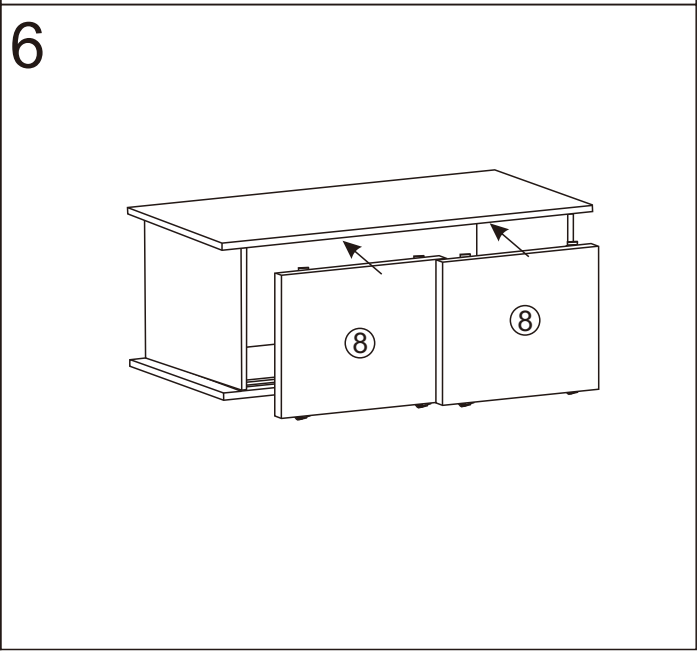
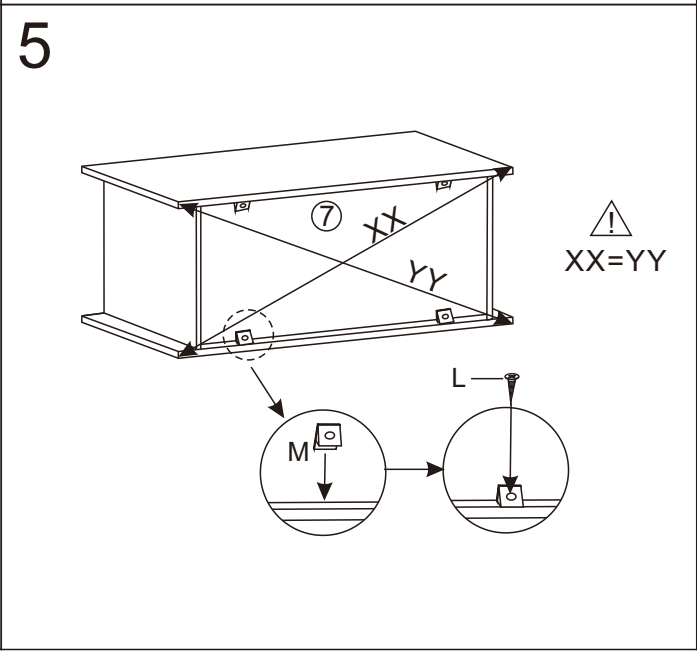
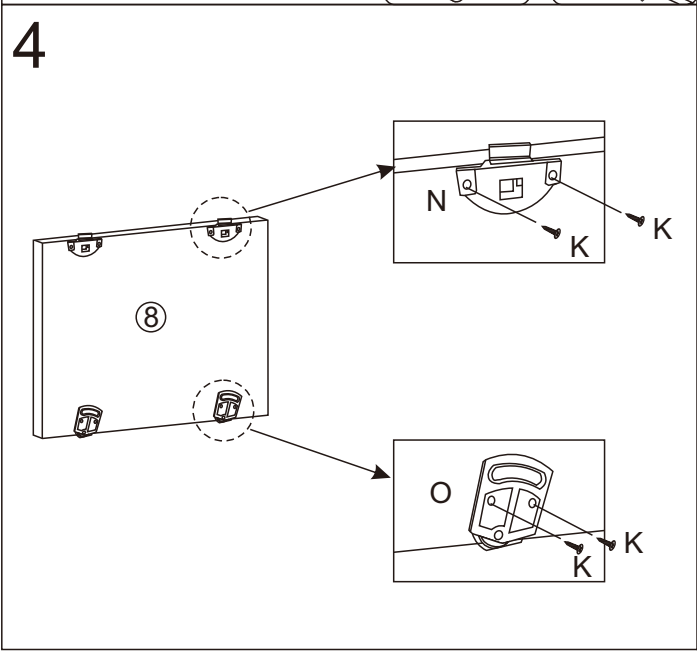
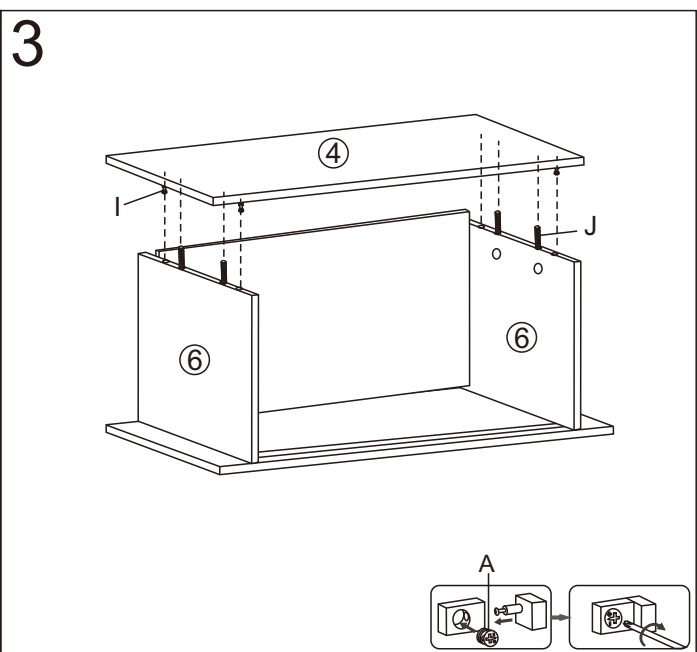
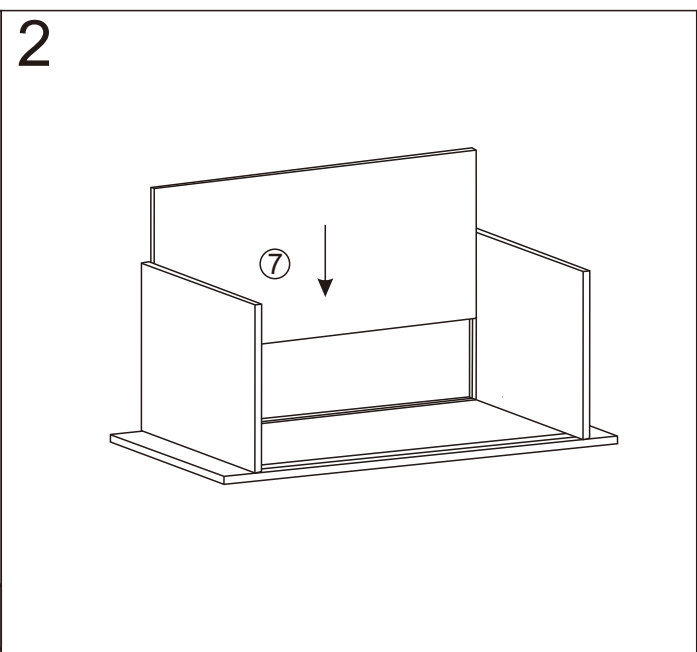
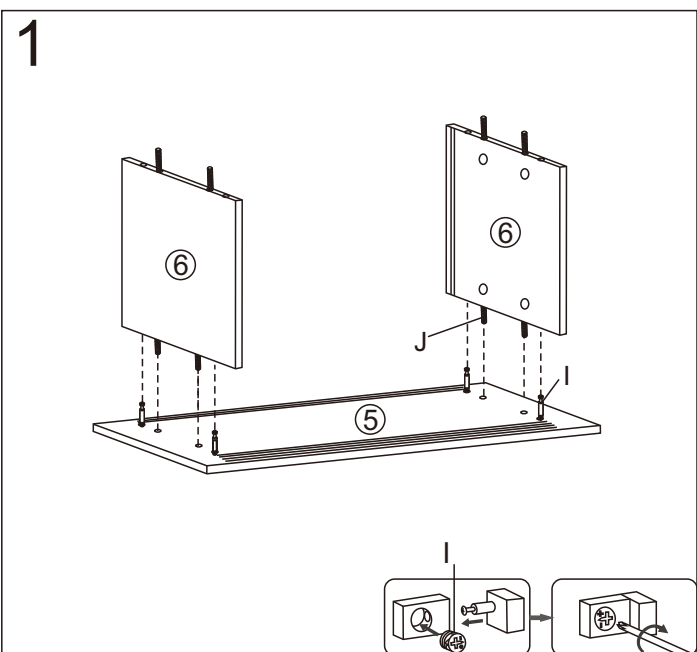
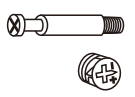










<p>A</p>  <p>M6 × 25 mm 16 ks</p>	<p>B</p>  <p>M6 × 12 mm 8 ks</p>	<p>C</p>  <p>ST4 × 14 mm 5 ks</p>	<p>D</p>  <p>M6 mm 4 ks</p>	<p>E</p>  <p>1 ks</p>	<p>F</p>  <p>1 ks</p>	<p>G</p>  <p>1 ks</p>	<p>H</p>  <p>1 ks</p>
--	---	--	---	---	--	---	---



I  8 ks	J  8 × 30 mm 8 ks	K  ST3,5 × 12 mm 16 ks	L  ST3,5X × 8 mm 4 ks	M  4 ks	N  4 ks	O  4 ks	P1  1 ks <hr/> P2  ST4 × 25 mm 1 ks
--	--	---	---	---	--	--	--

