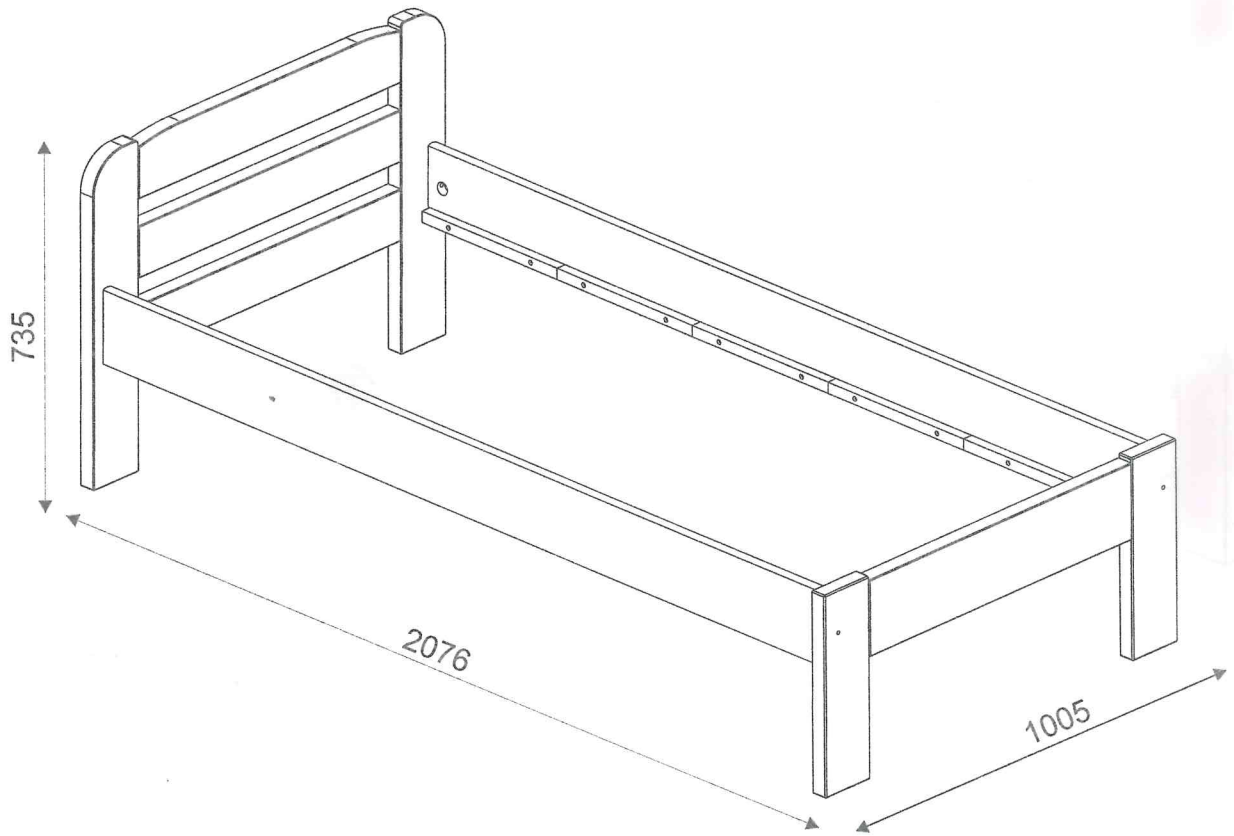
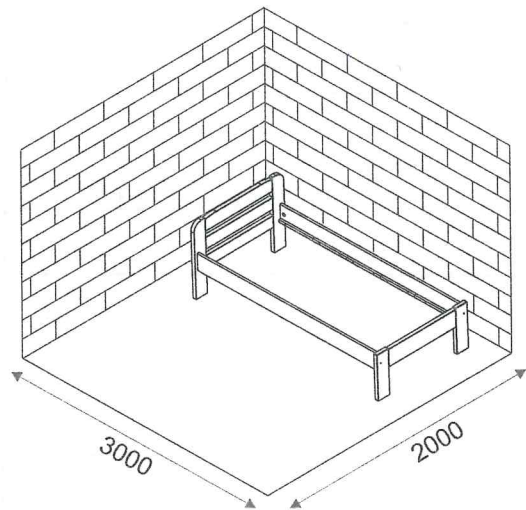
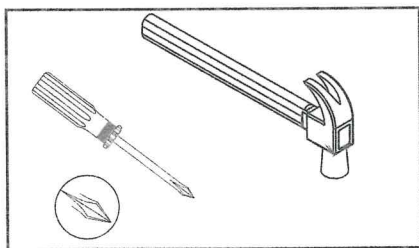
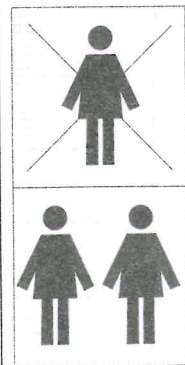


8895 / 8895B

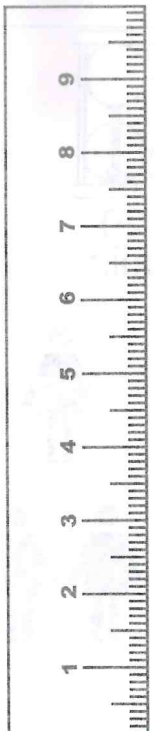
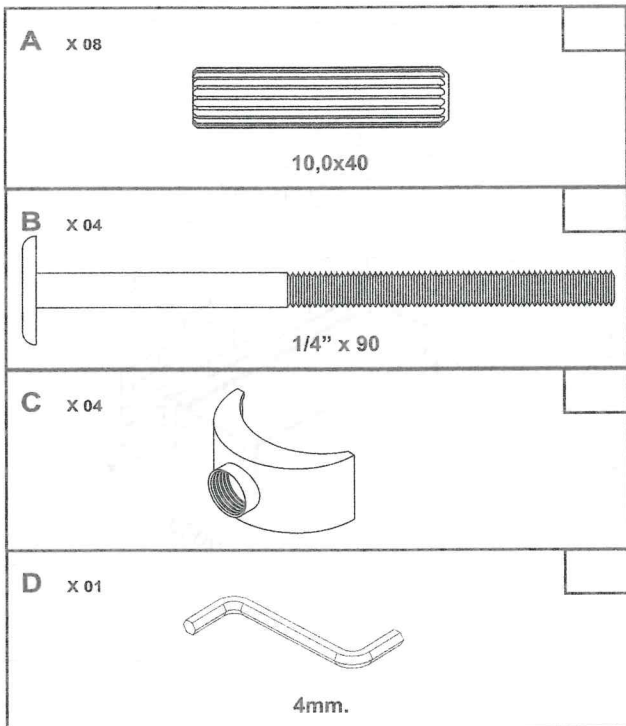
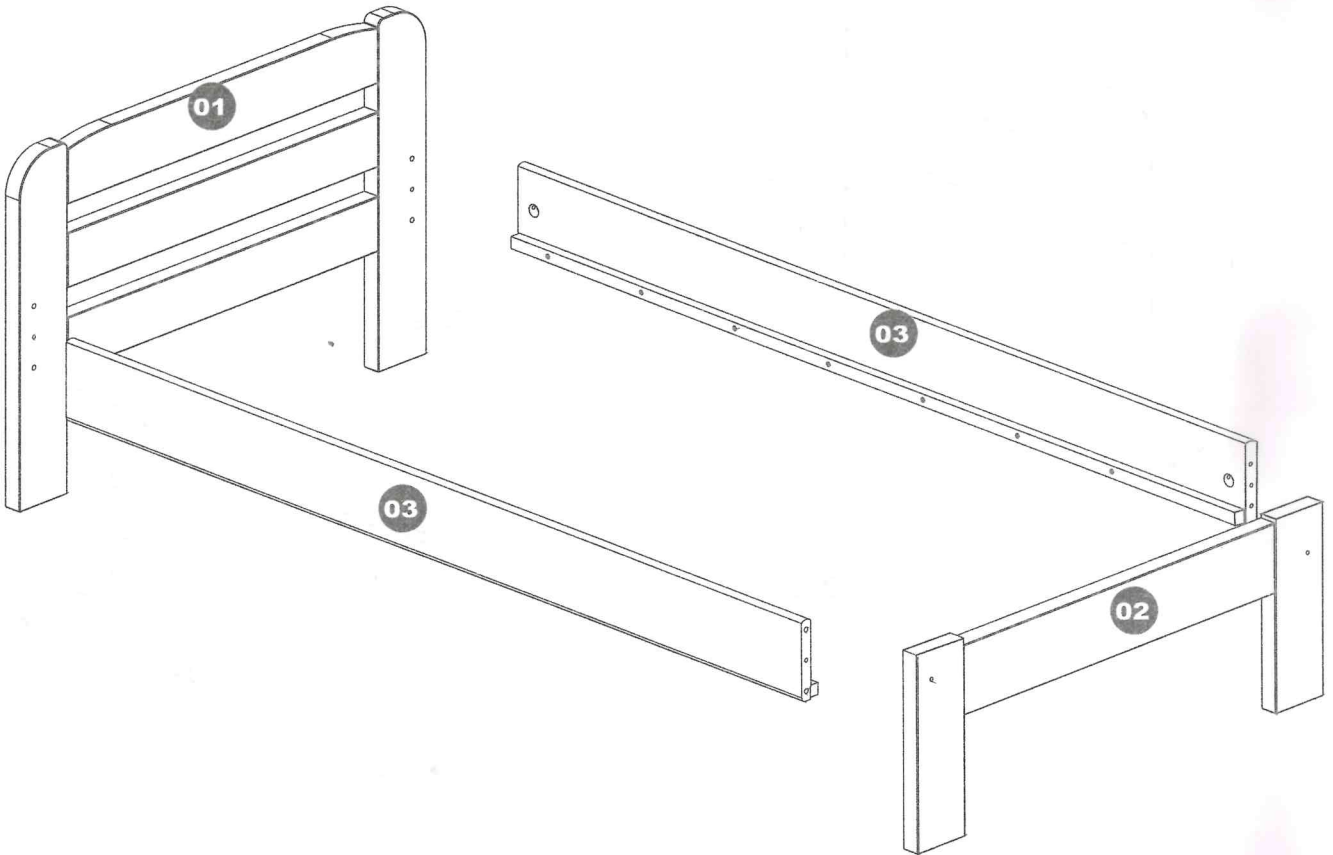
90 x 200



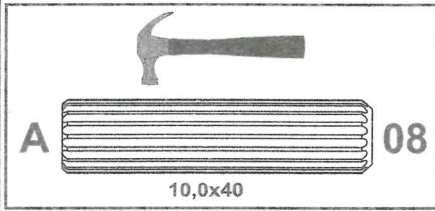
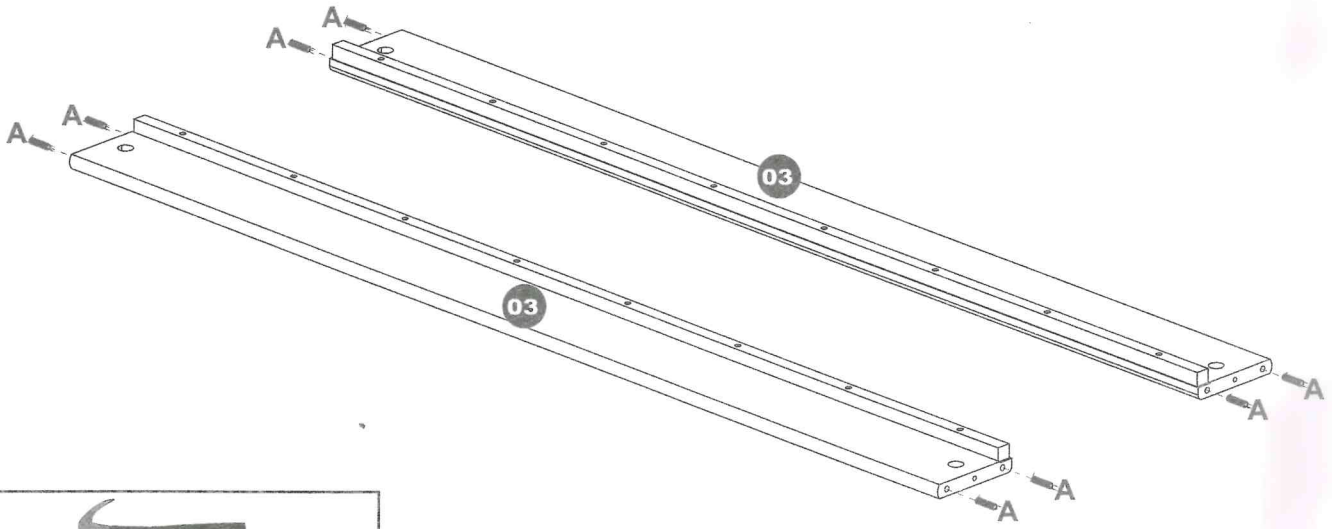
20
min.



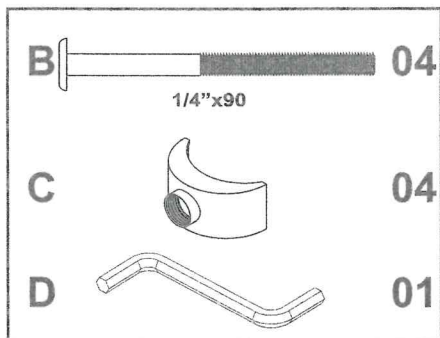
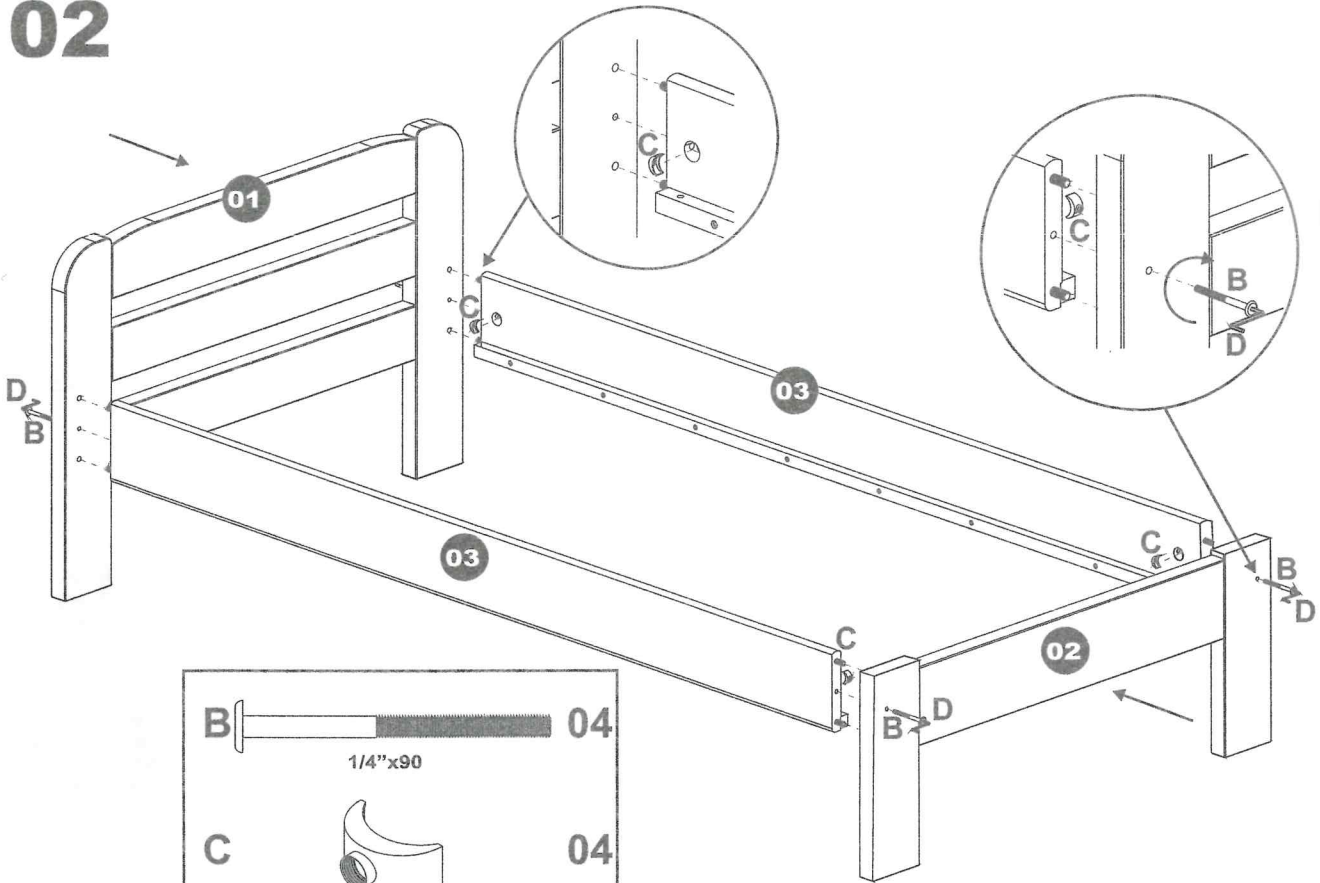
1	1	1005 x 735 x 38	
2	1	1005 x 450 x 38	
3	2	2000 x 170 x 48	



01



02



3-3