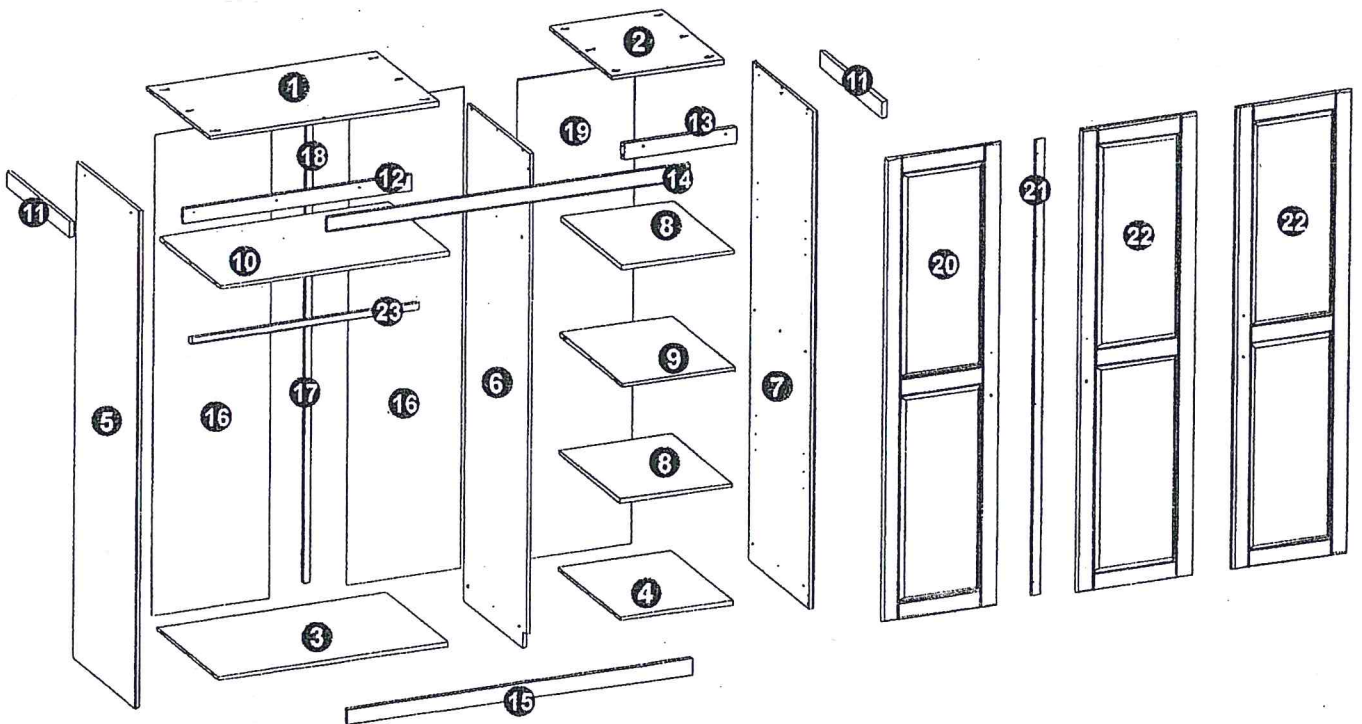
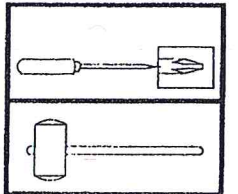
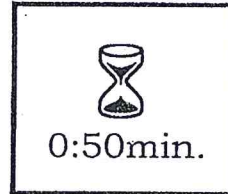
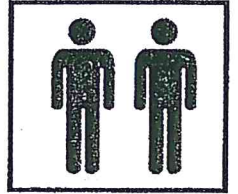
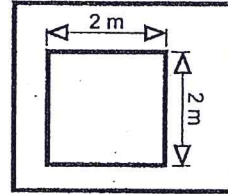
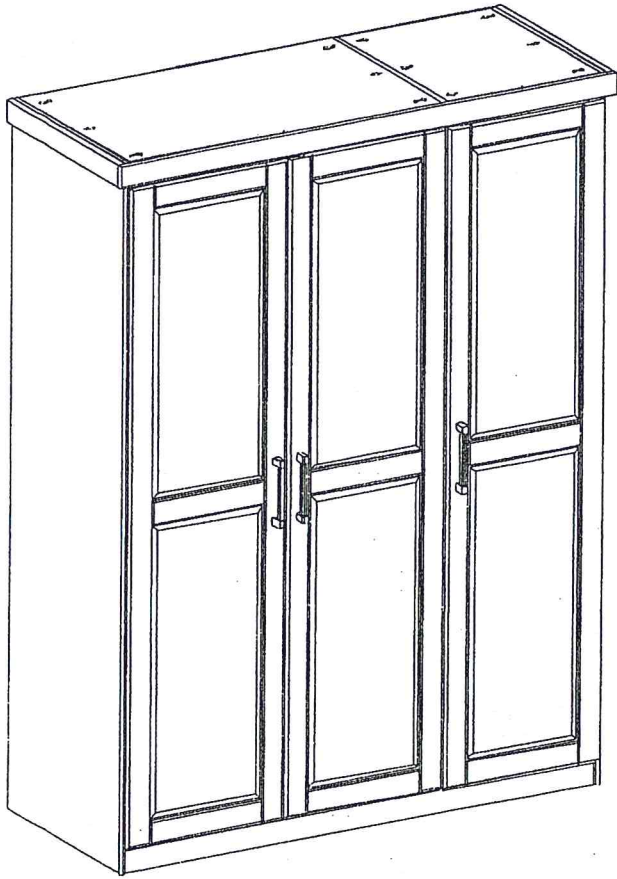

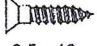



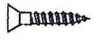
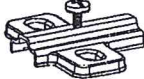
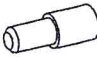
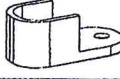
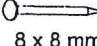

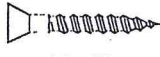

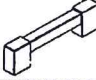
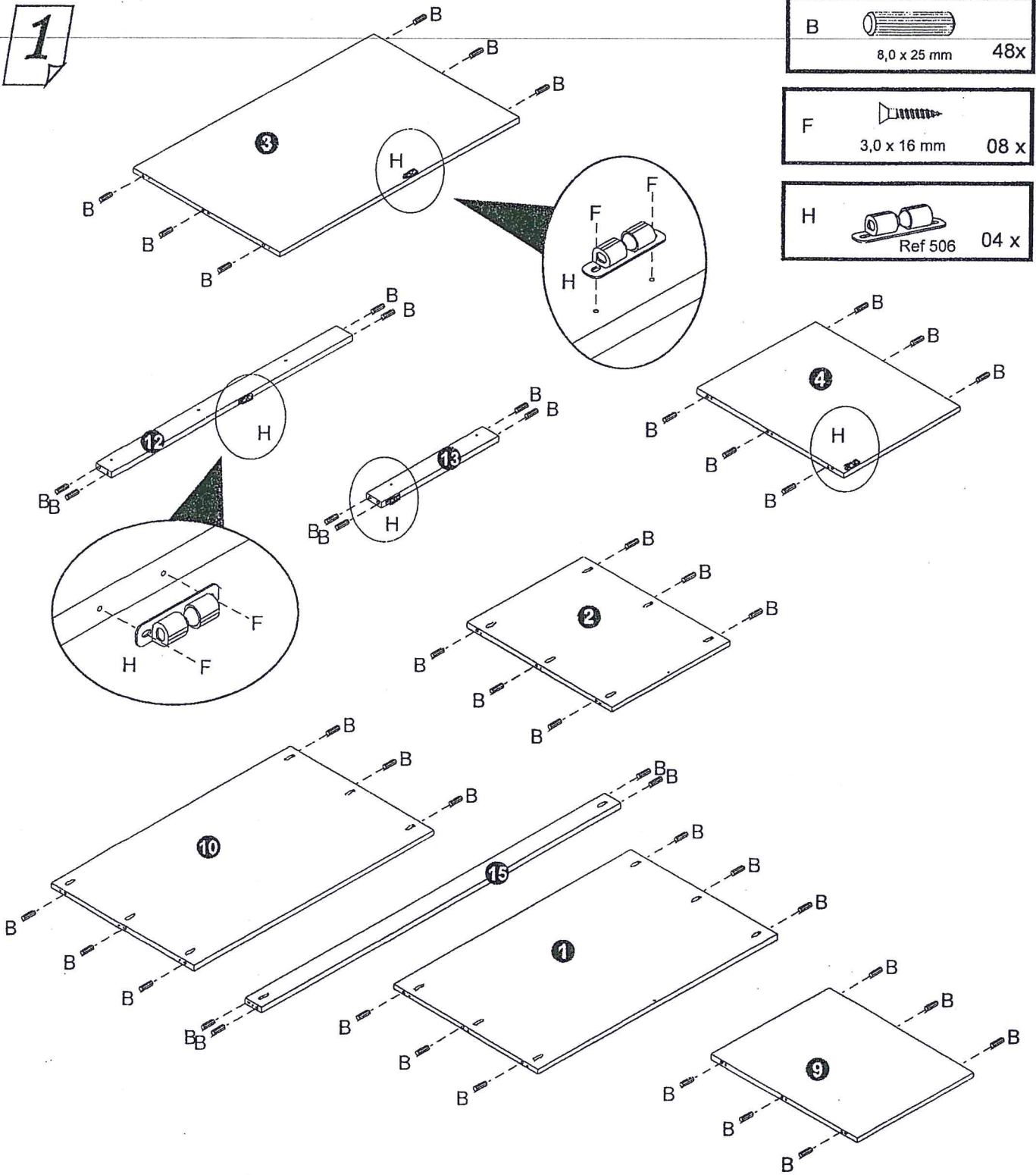



RPS3





A  4,0 x 30 mm 55 x	E  3,5 x 16 mm 36 x	I  Ø26 09 x	M  02 x
B  8,0 x 25 mm 48 x	F  3,0 x 16 mm 30 x	J  09 x	N  08 x
C  02 x	G  8 x 8 mm 50 x	K  04 x	
D  4,0 x 30 mm 02 x	H  Ref 506 04 x	L  180mm 03 x	

1



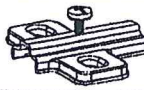
B  8,0 x 25 mm 48x

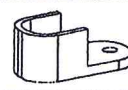
F  3,0 x 16 mm 08 x

H  Ref 506 04 x

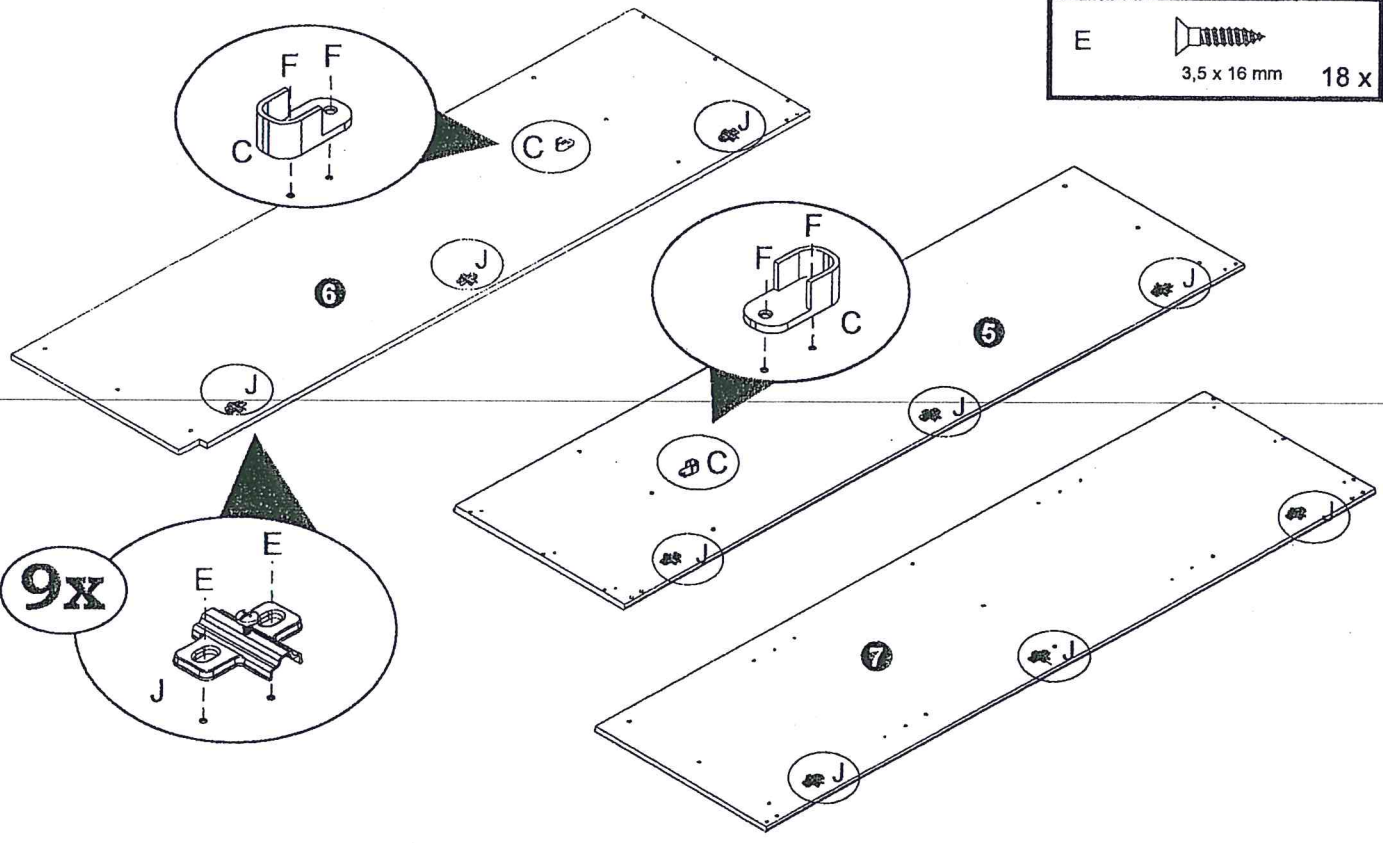
2

F 3,0 x 16 mm 04 x

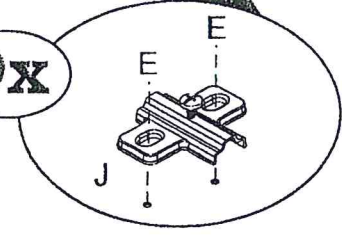
J  09 x

C  02 x

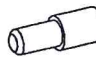
E 3,5 x 16 mm 18 x

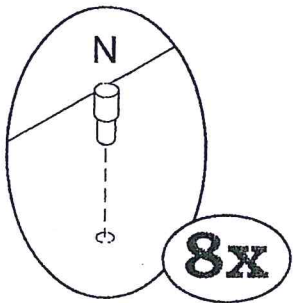
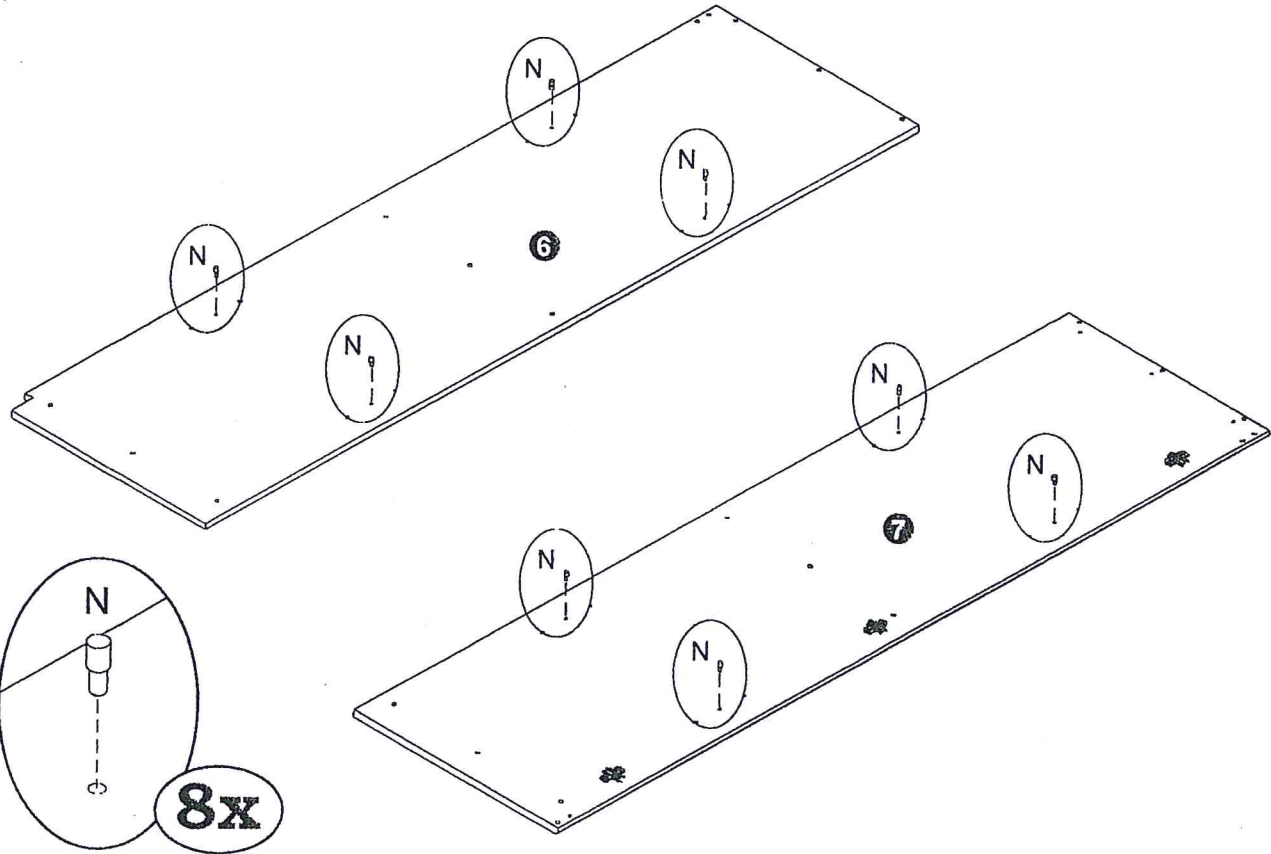


9x



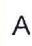
3

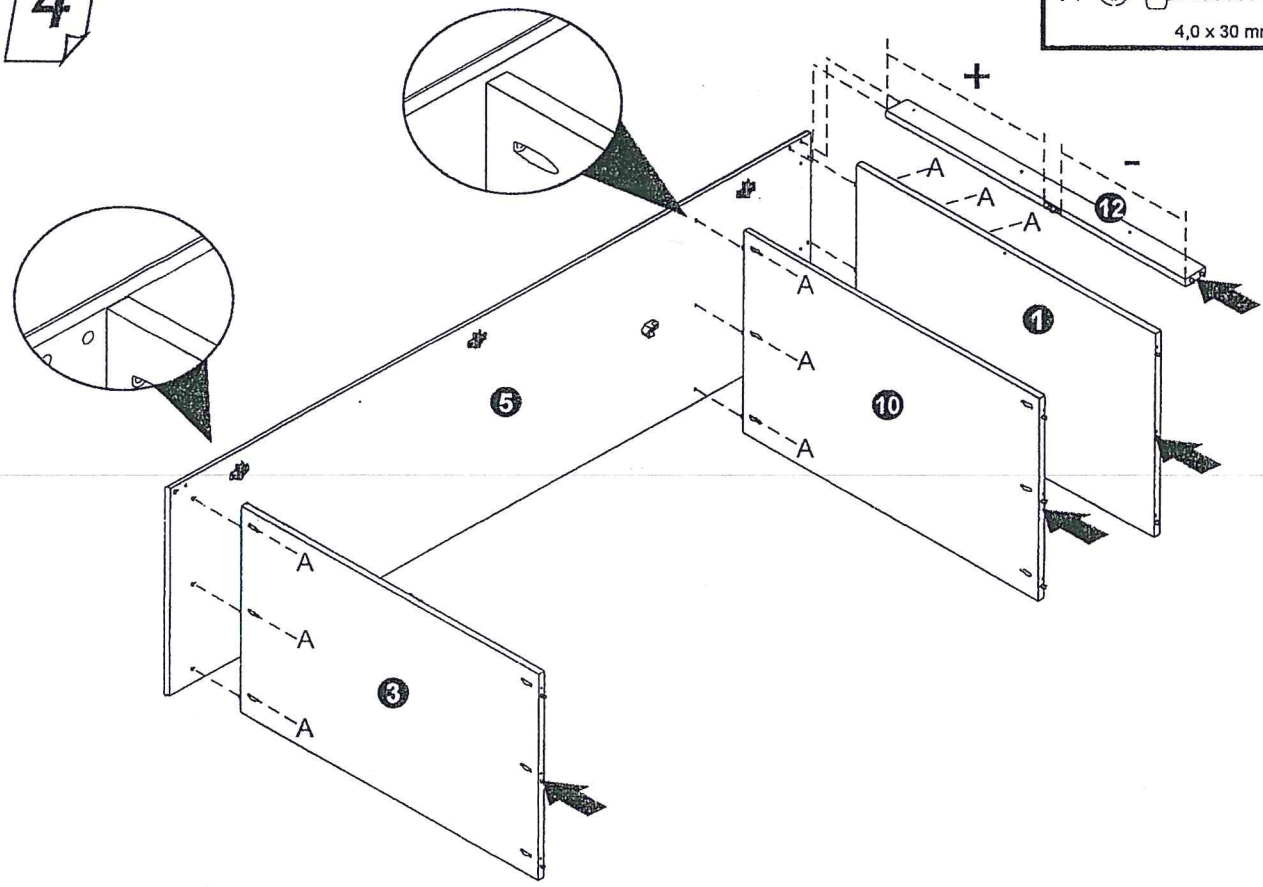
N  08 x




8x

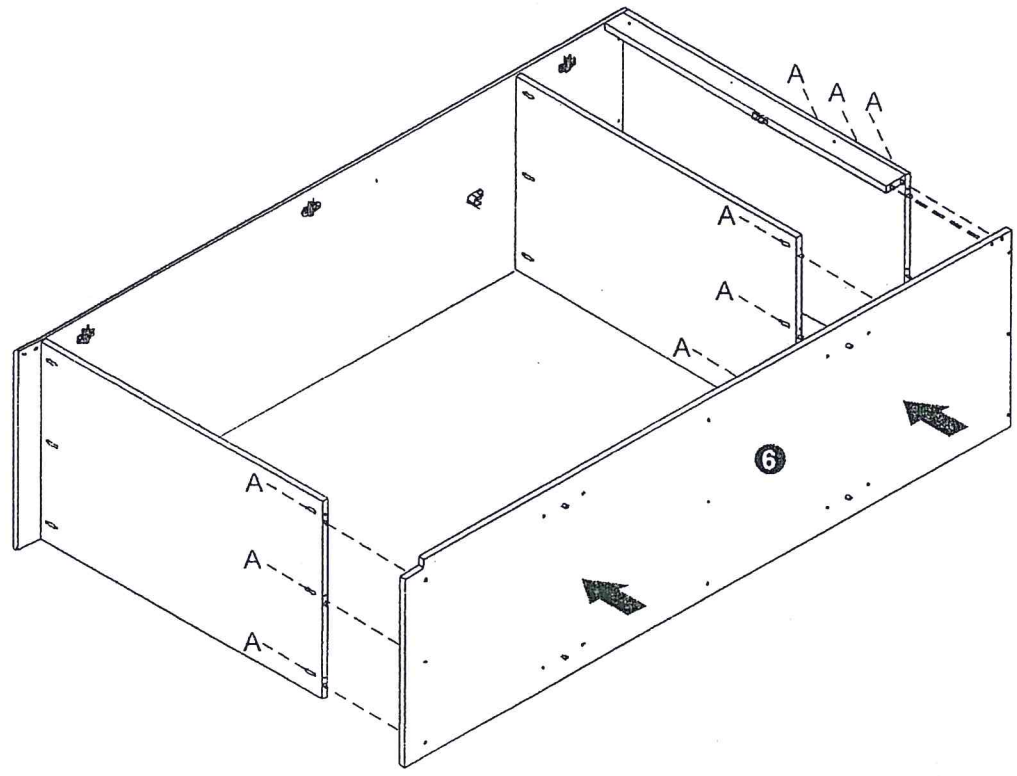
4

A  4,0 x 30 mm 09 x




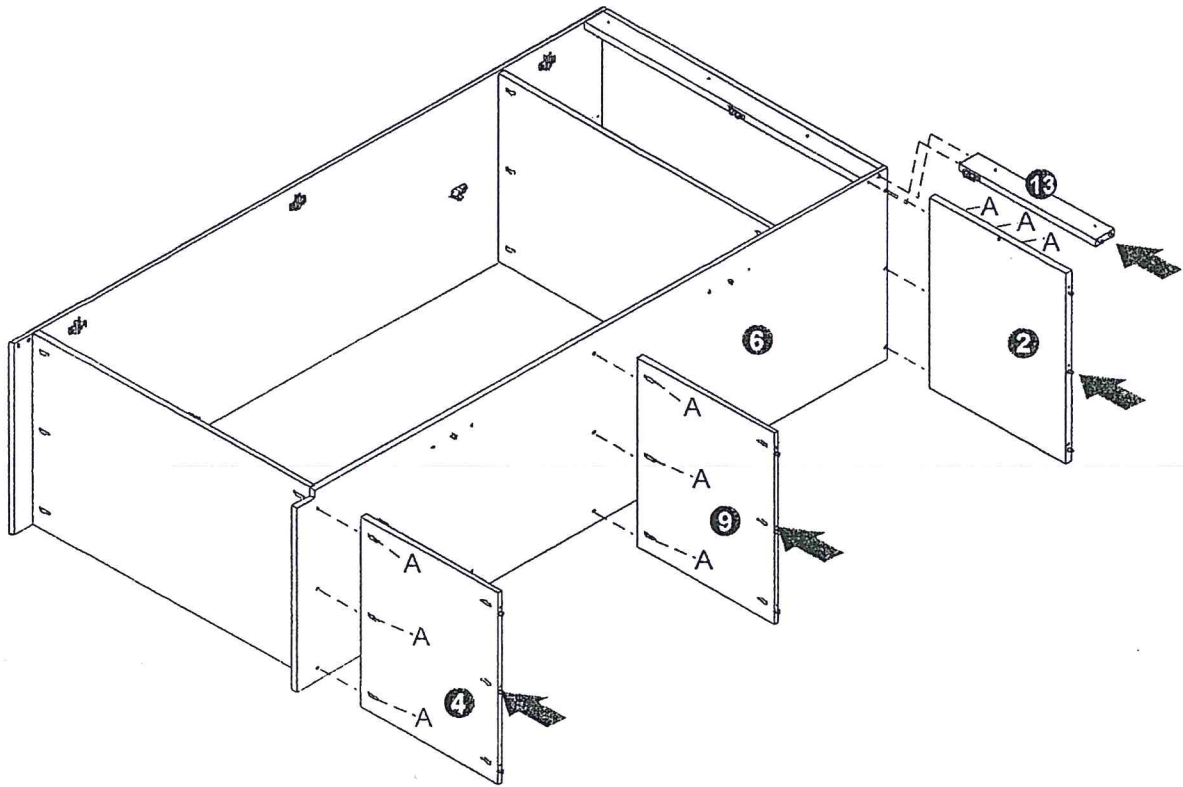
5

A  4,0 x 30 mm 09 x




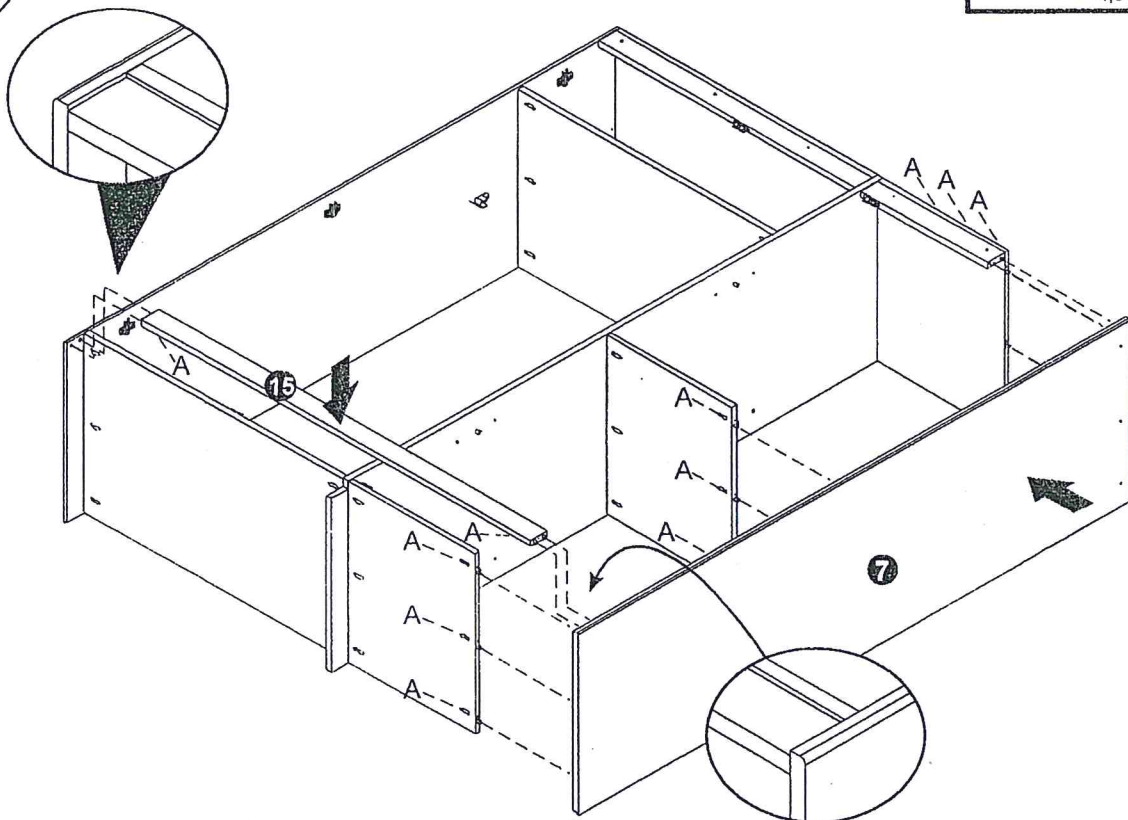
6

A  4,0 x 30 mm 09 x

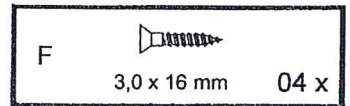
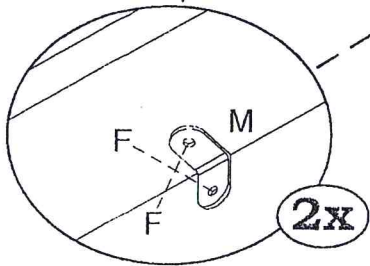
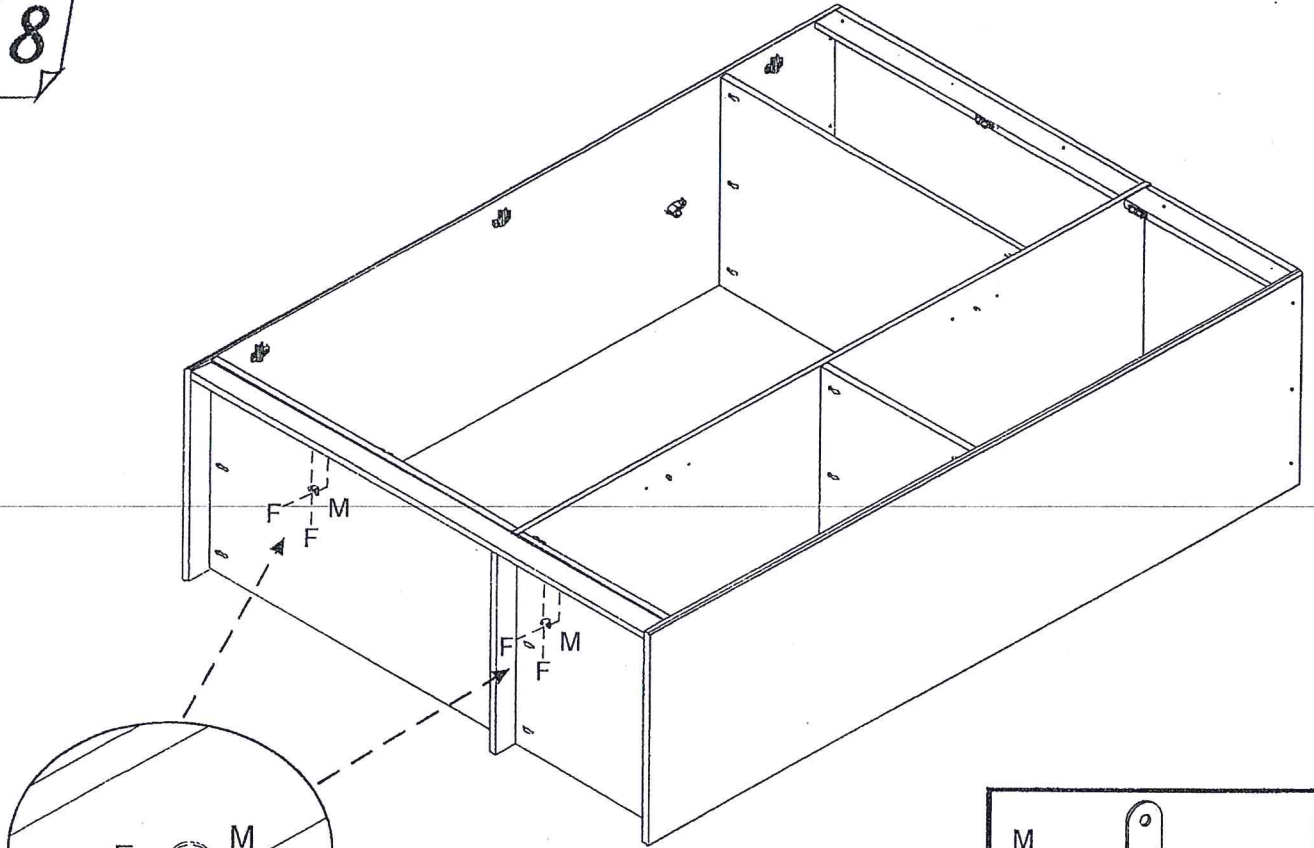


7

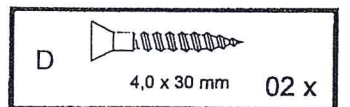
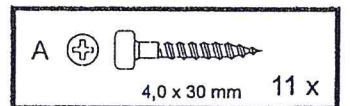
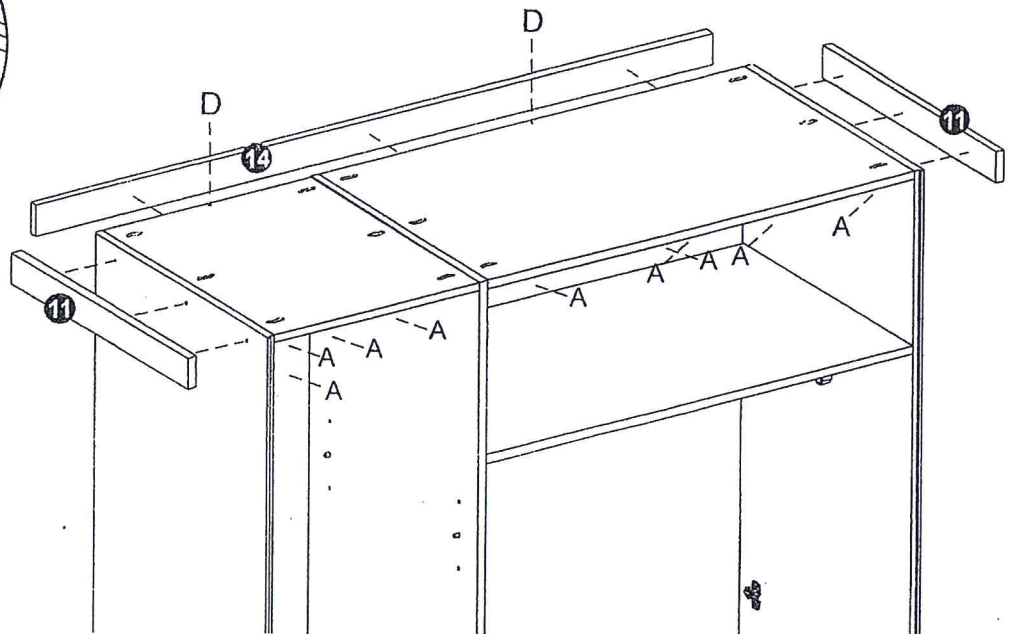
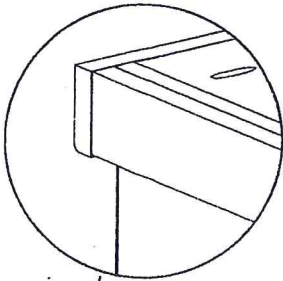
A  4,0 x 30 mm 11 x



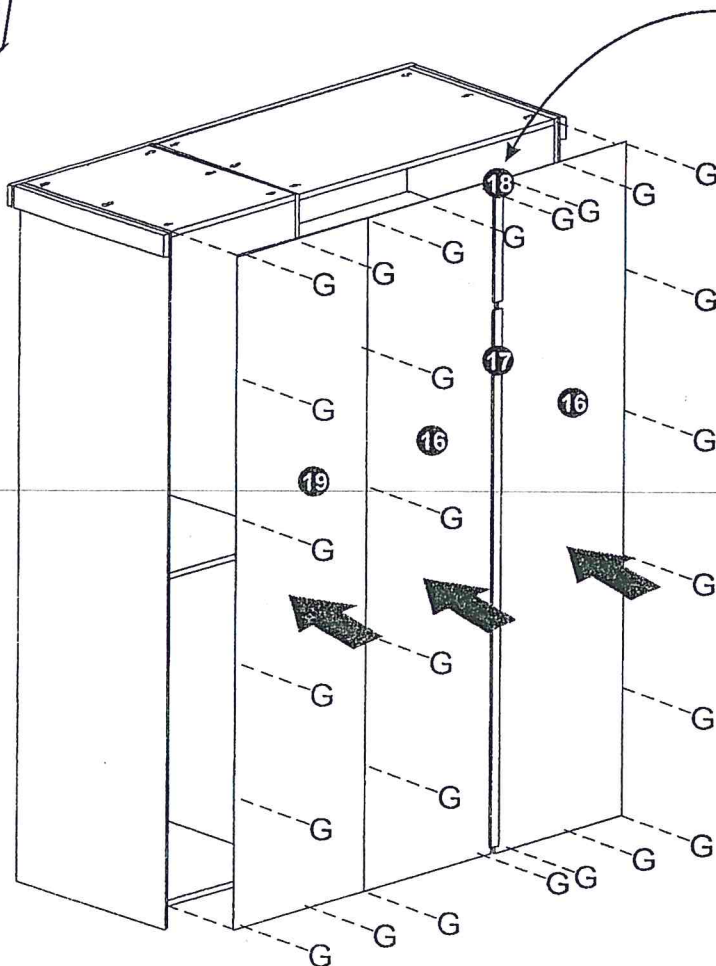
8



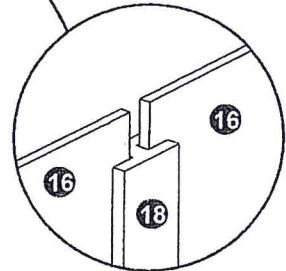
9



10



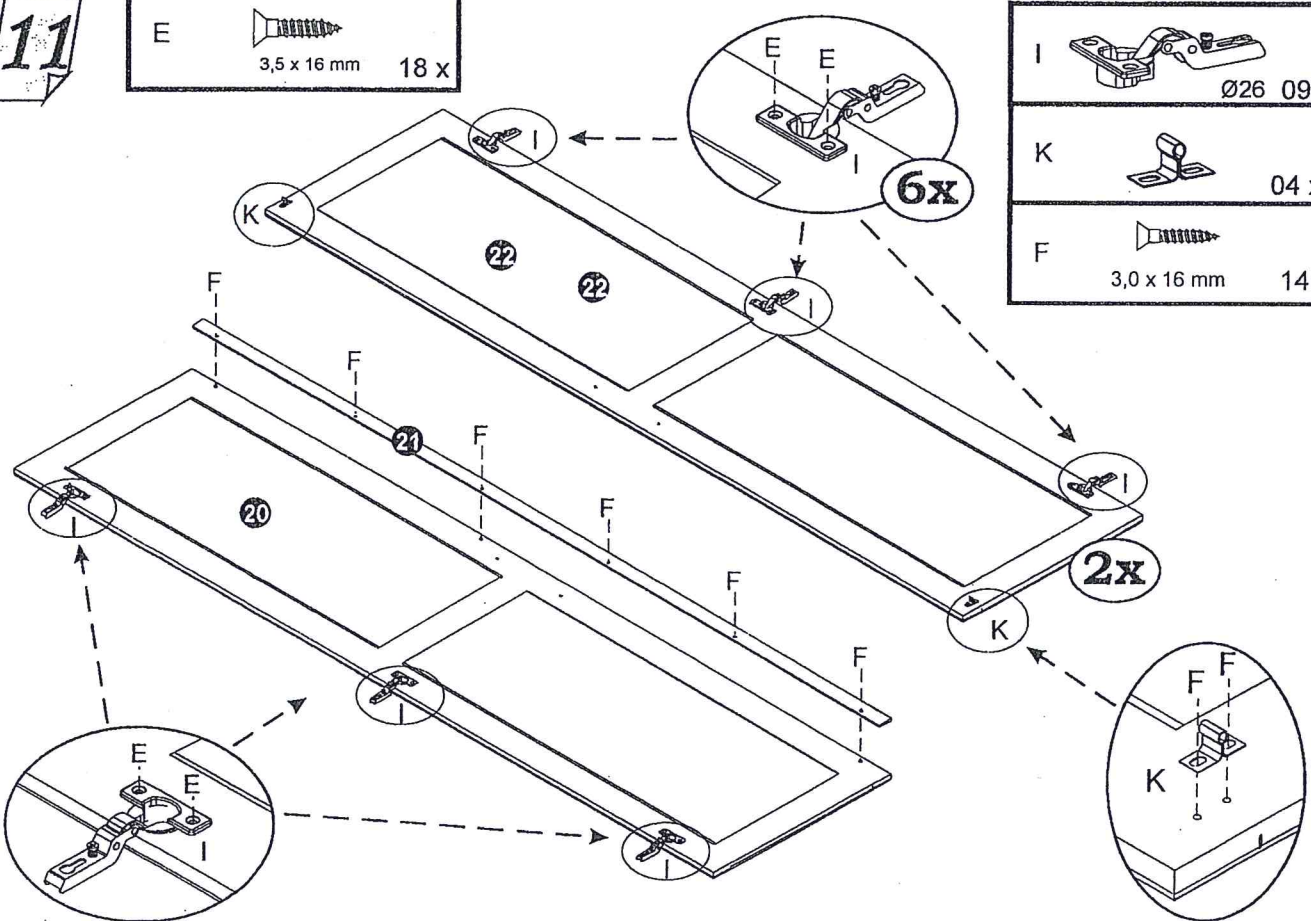
G 8 x 8 mm 50 x



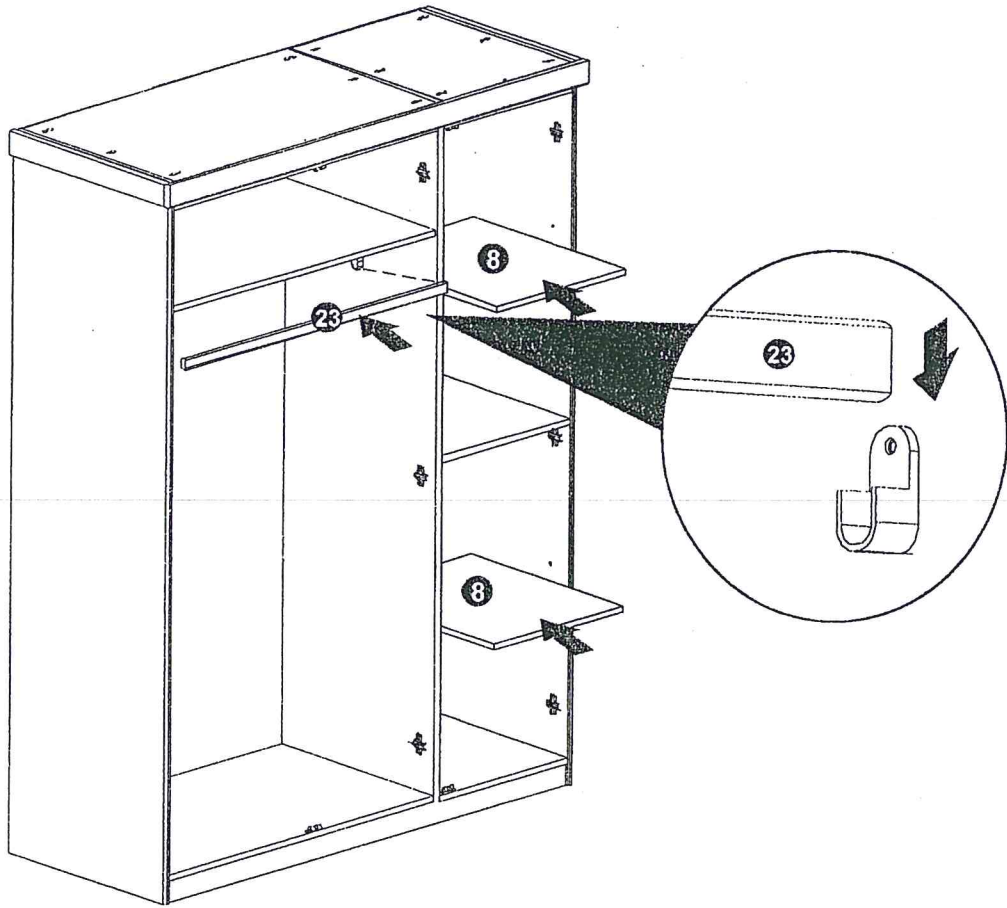
11

E 3,5 x 16 mm 18 x

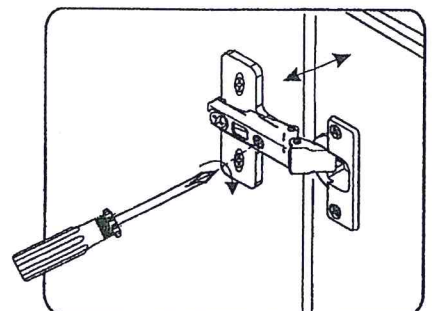
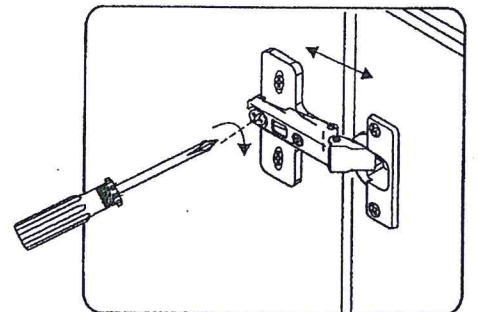
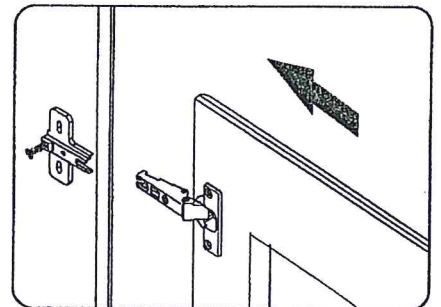
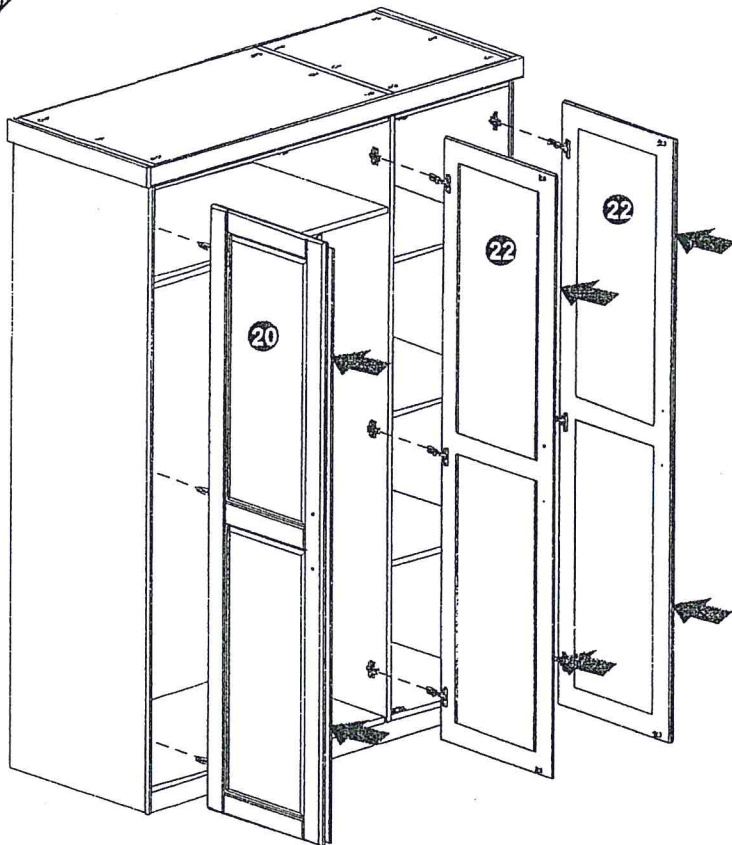
I Ø26 09 x
K 04 x
F 3,0 x 16 mm 14 x



12



13



14

