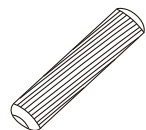
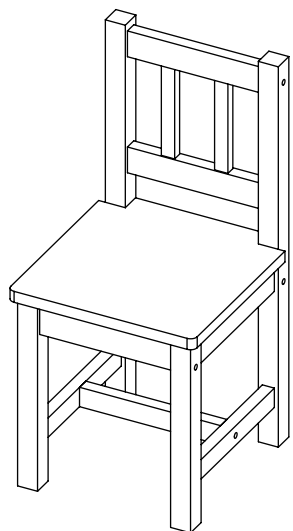


8866



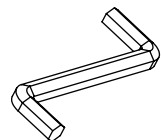
$\Phi 8 \times 30$   
E x 6



$\Phi 7 \times 70$   
F x 8

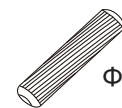
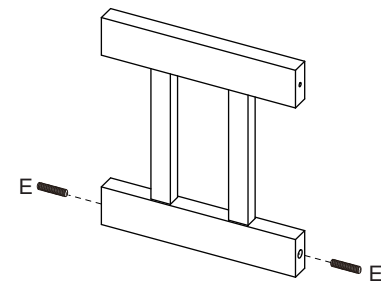


$\Phi 4 \times 40$   
G x 4

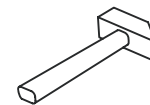


4 mm  
H x 1

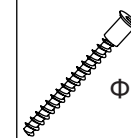
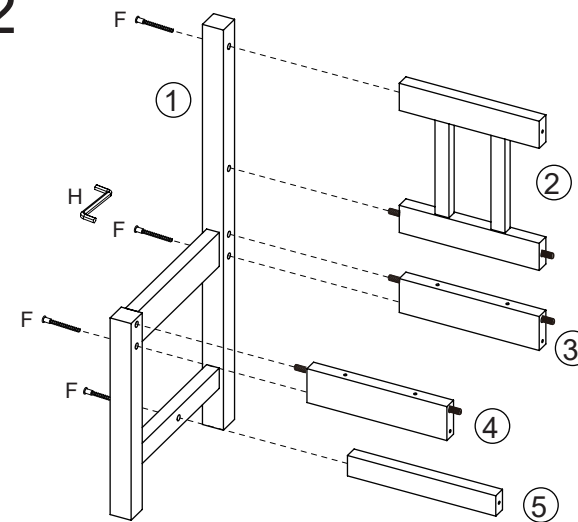
1



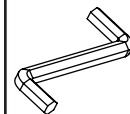
$\Phi 8 \times 30$   
E x 6



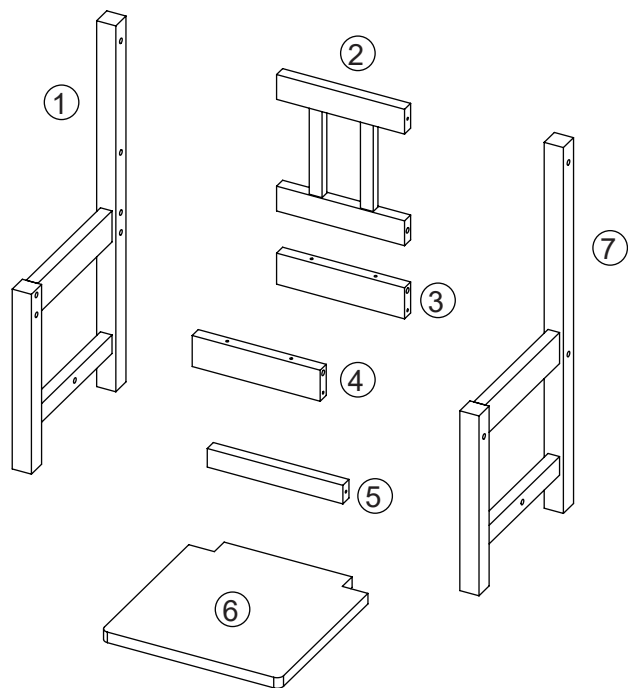
2



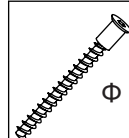
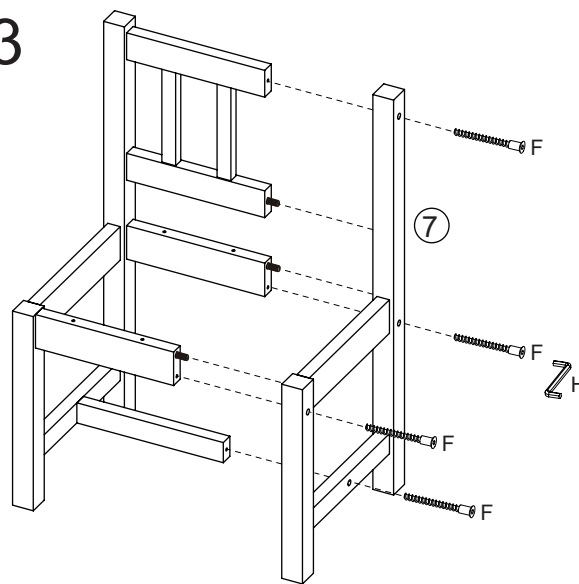
$\Phi 7 \times 70$   
F x 4



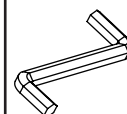
4 mm  
H x 1



3

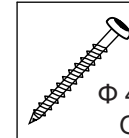
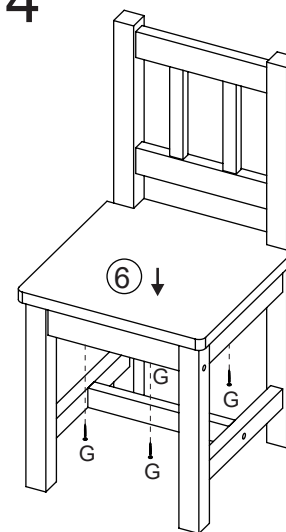


$\Phi 7 \times 70$   
F x 4



4 mm  
H x 1

4



$\Phi 4 \times 40$   
G x 4

