

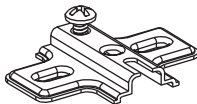

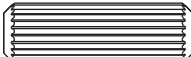
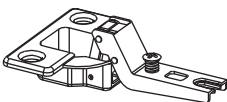
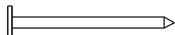
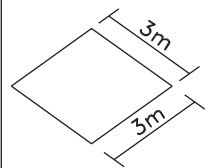
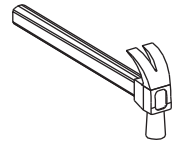
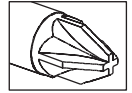
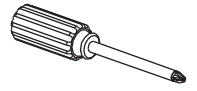
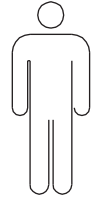
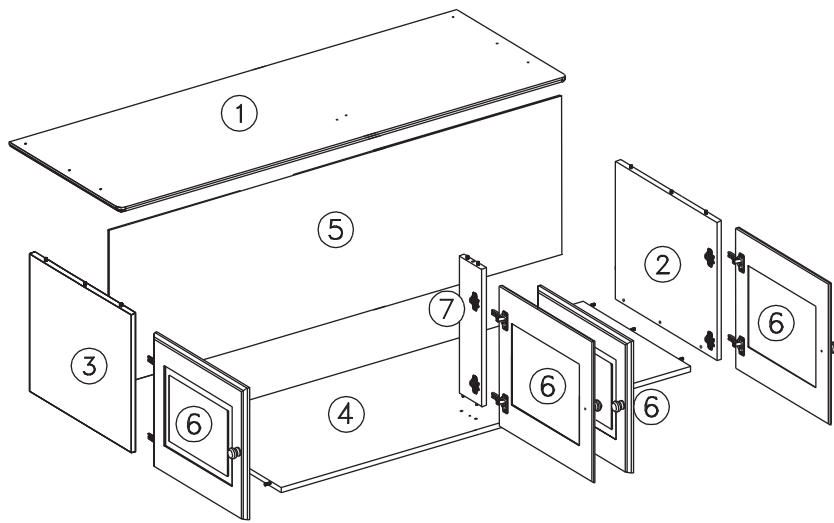
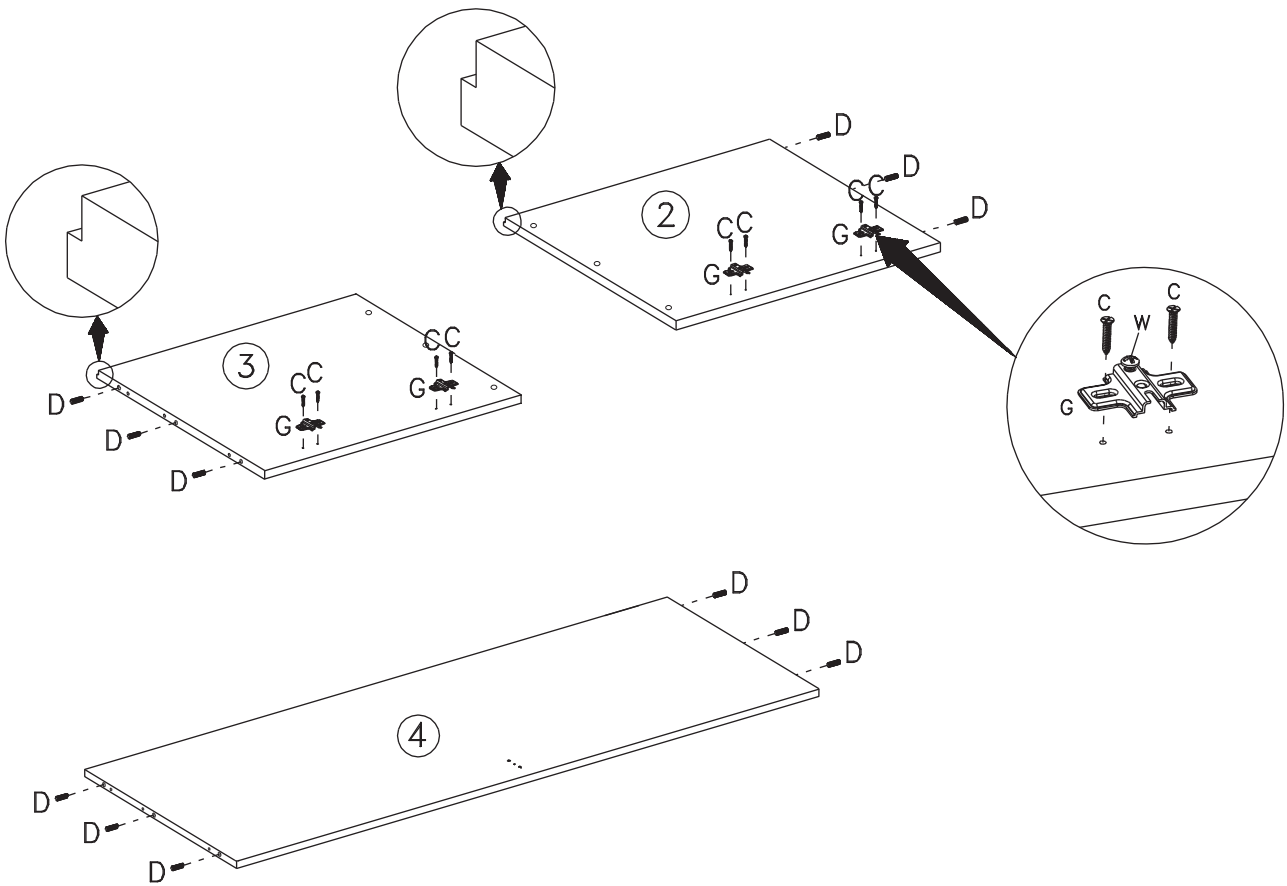
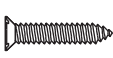
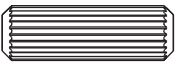

 <b>A</b> 3.5 x 35 <b>6x</b>	 <b>C</b> 3.5 x 14 <b>32x</b>	 <b>E</b> <b>4x</b>	 <b>G</b> <b>8x</b>
 <b>B</b> 4.0 x 40 <b>12x</b>	 <b>D</b> 8.0 x 25 <b>16x</b>	 <b>F</b> <b>8x</b>	 <b>H</b> 10 x 10 <b>26x</b>

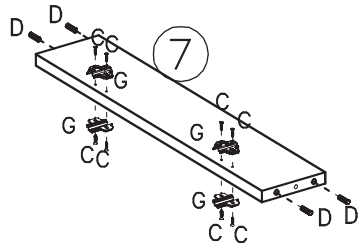


01

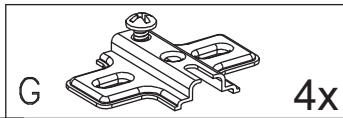
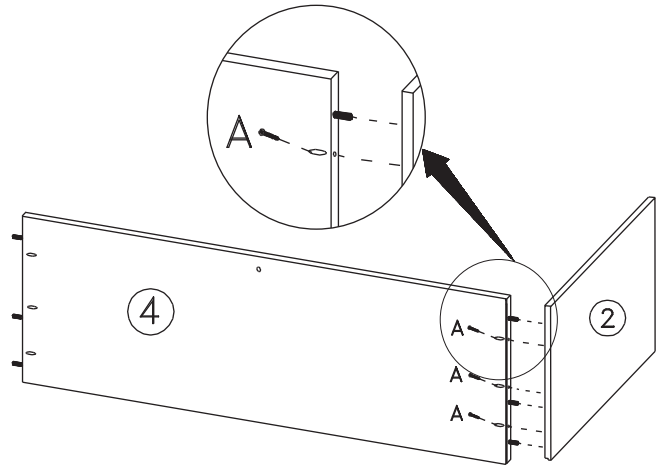


 <b>C</b> 3.5 x 14 <b>8x</b>	 <b>D</b> 8.0 x 25 <b>12x</b>	 <b>G</b> <b>4x</b>
--	---	---

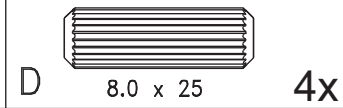
02



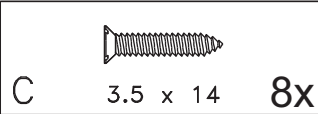
03



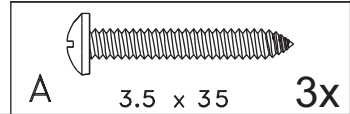
G 4x



D 8.0 x 25 4x

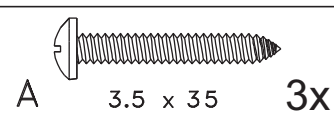
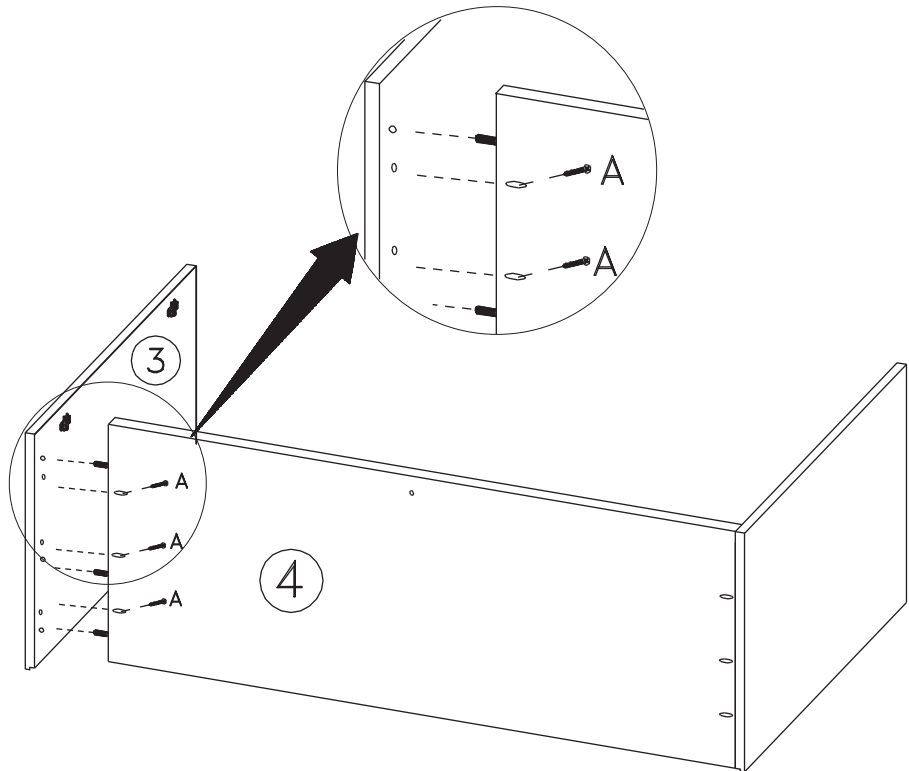


C 3.5 x 14 8x



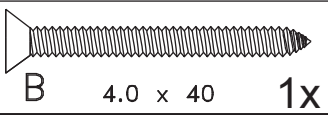
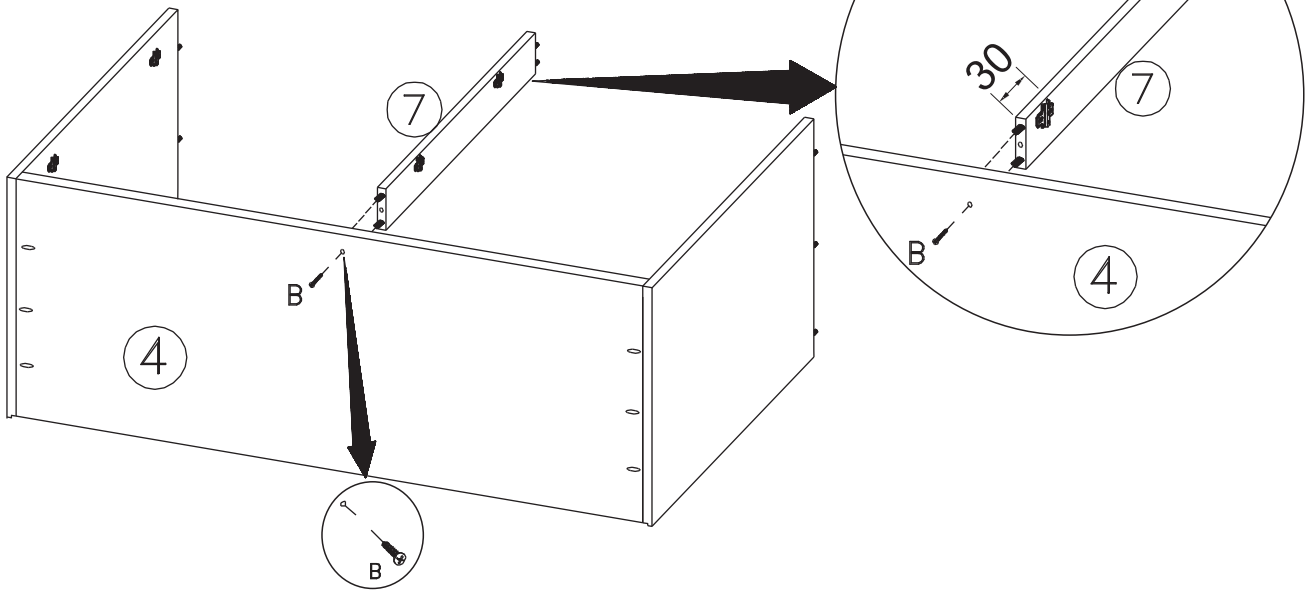
A 3.5 x 35 3x

04

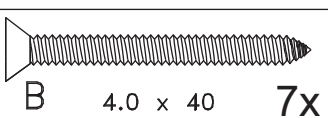
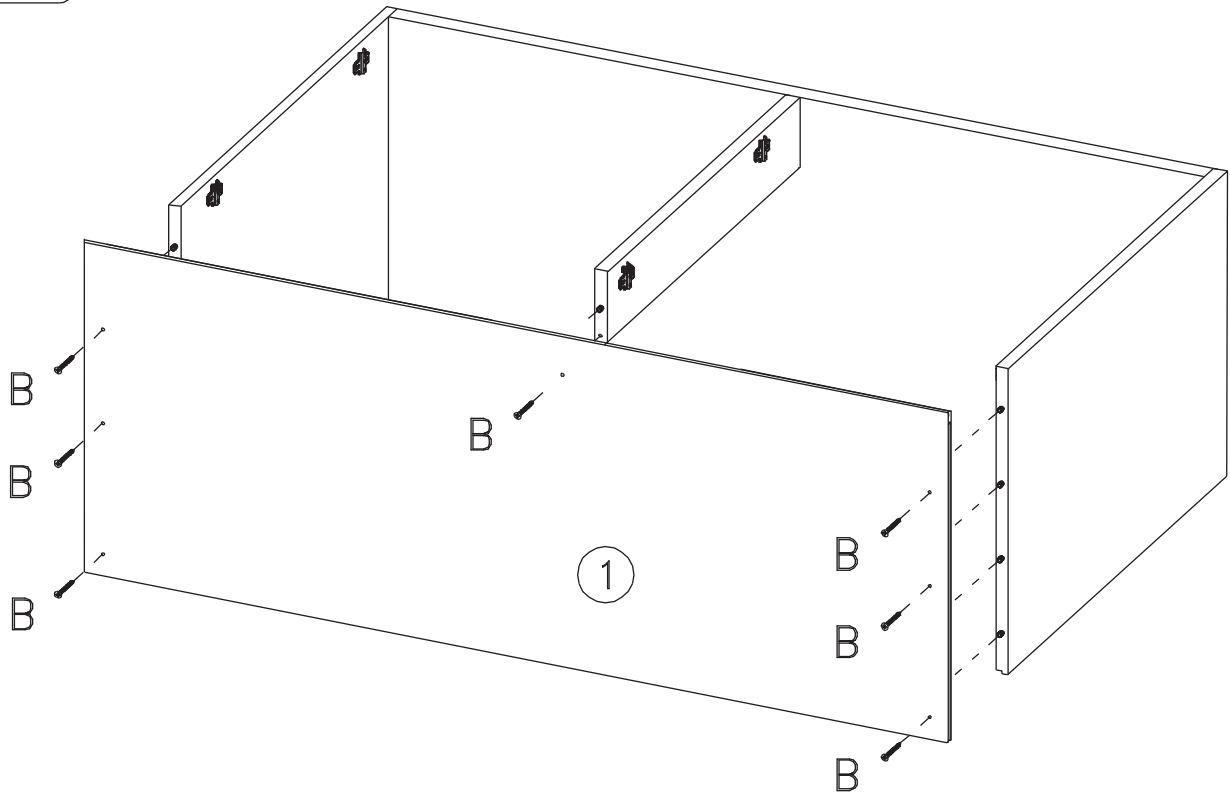


A 3.5 x 35 3x

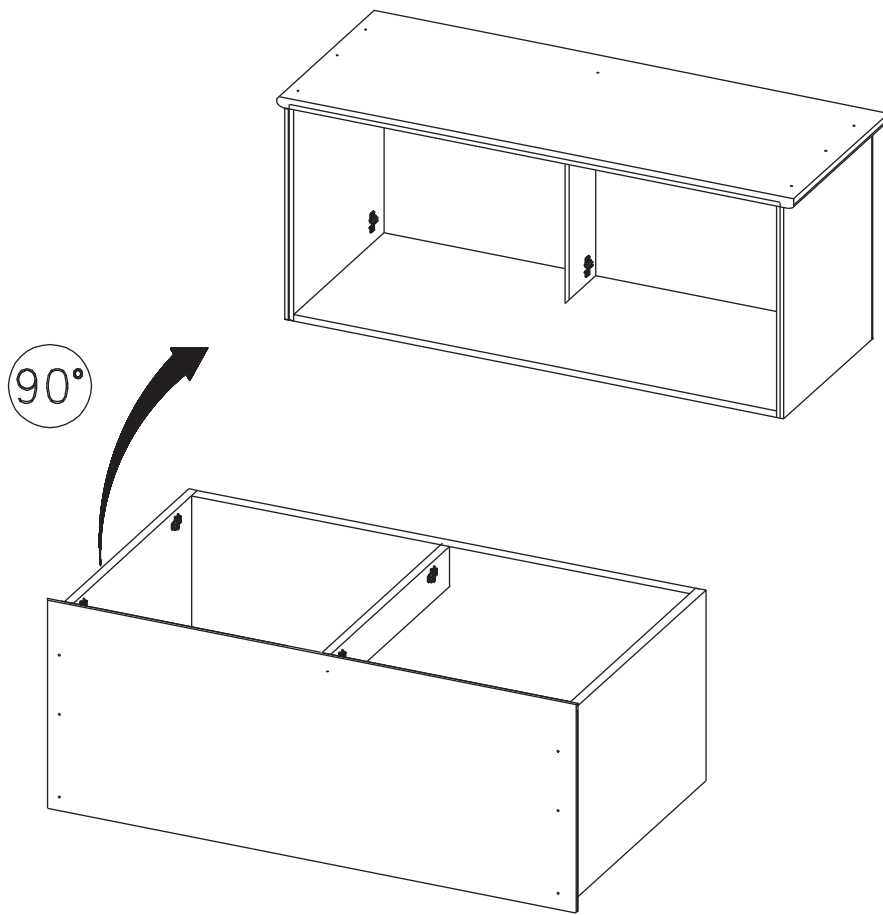
05



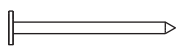
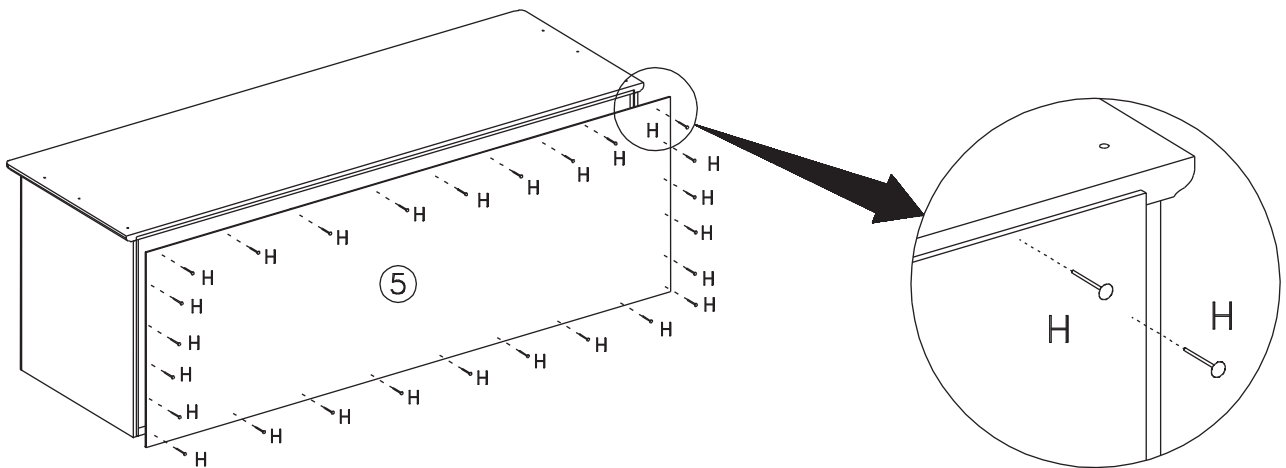
06



07

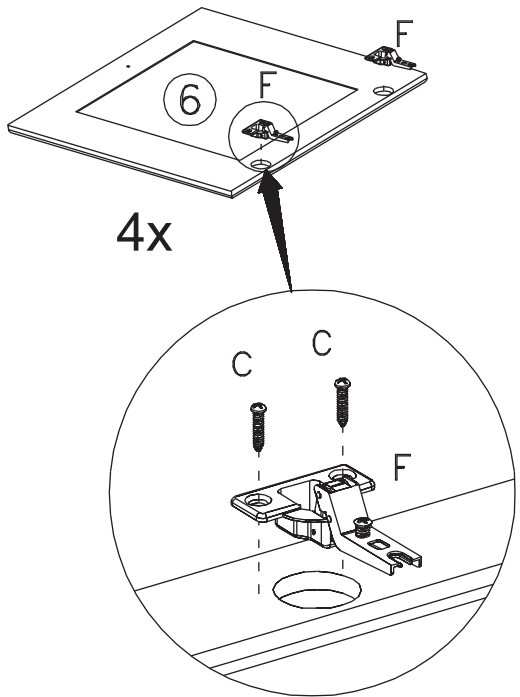


08



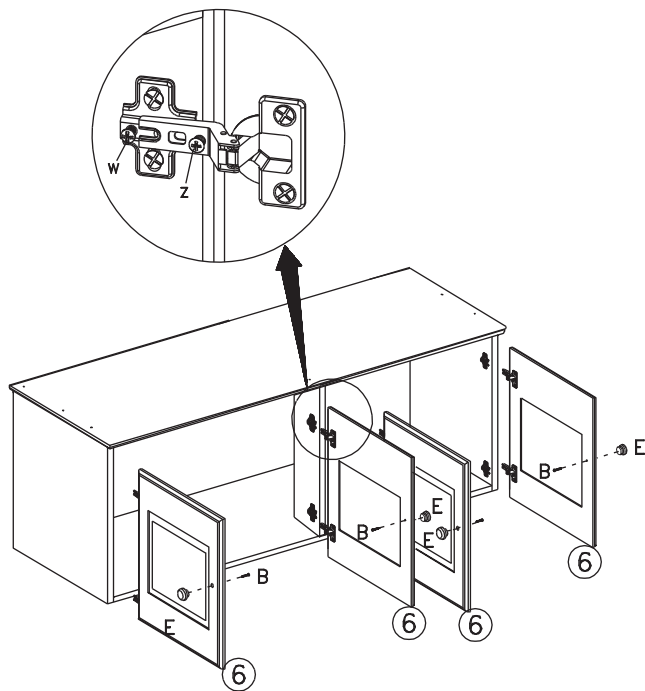
H 10 x 10 26x





09



4x

10



- |  |  |  |  |
|--|--|--|--|
| <br><b>C</b> 3.5 x 14 16x | <br><b>F</b> 8x | <br><b>B</b> 4.0 x 40 4x | <br><b>E</b> 4x |
|--|--|--|--|

11

