


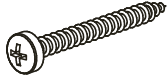

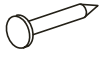
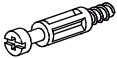




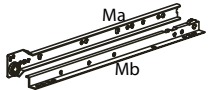
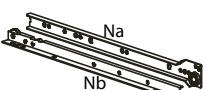
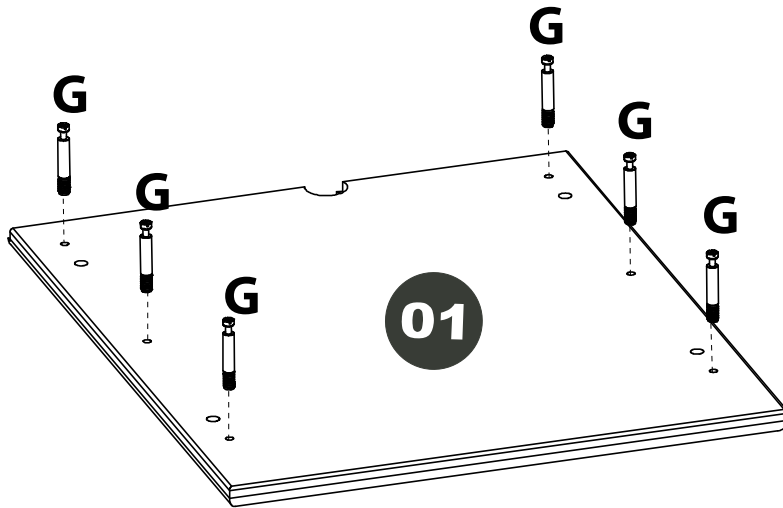
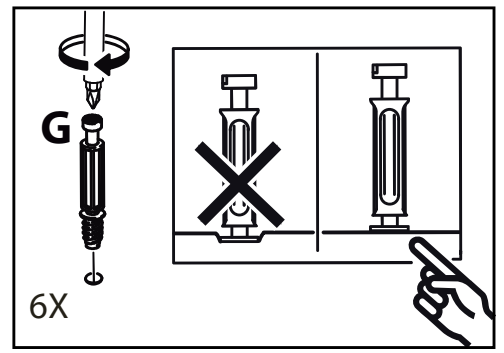


<b>A=36</b>  8,0 x 30mm	<b>B=46</b>  3,5 x 30mm	<b>C=31</b>  3,0 x 16mm	<b>D=05</b>  4,0 x 40mm	<b>E=30</b>  6,0 x 10mm
<b>F=20</b>  8,0 x 8,0mm	<b>G=06</b>  	<b>H=06</b>  	<b>I=02</b>  	<b>J=01</b>  
<b>L=05</b>  	<b>M=05</b>  350mm	<b>N=05</b>  350mm		



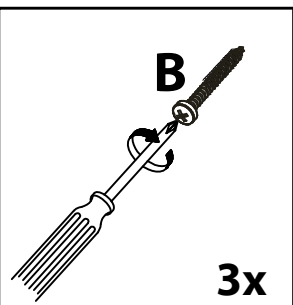
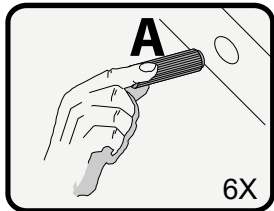
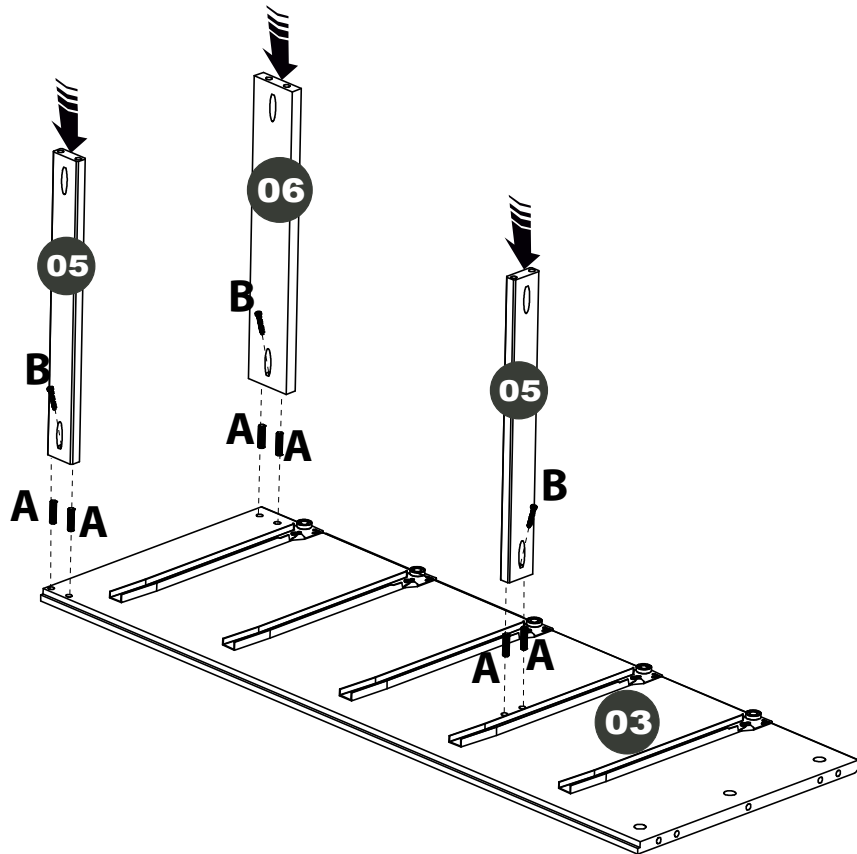
3



G=06



4



A=06



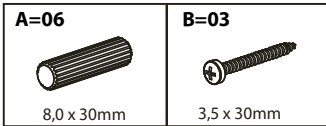
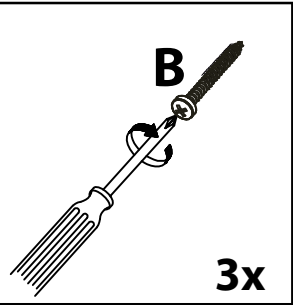
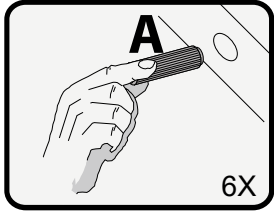
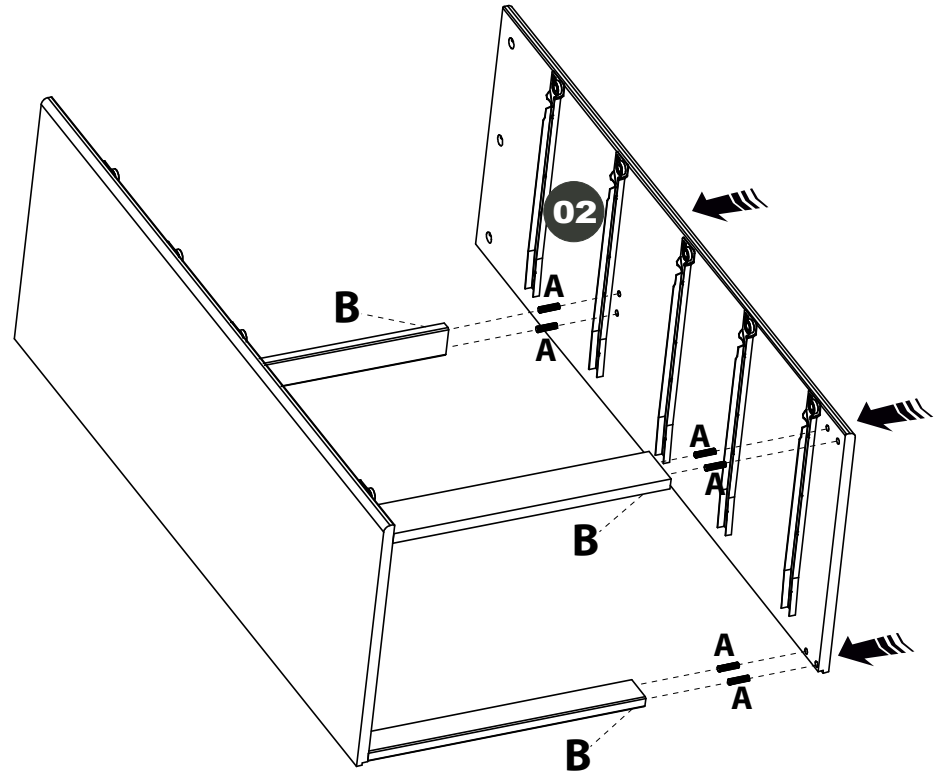
8,0 x 30mm

B=03

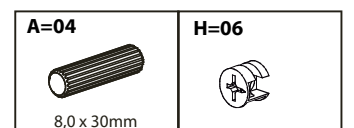
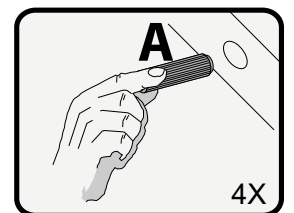
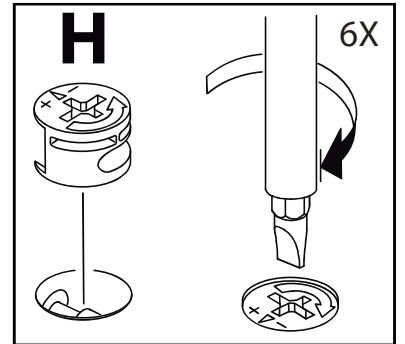
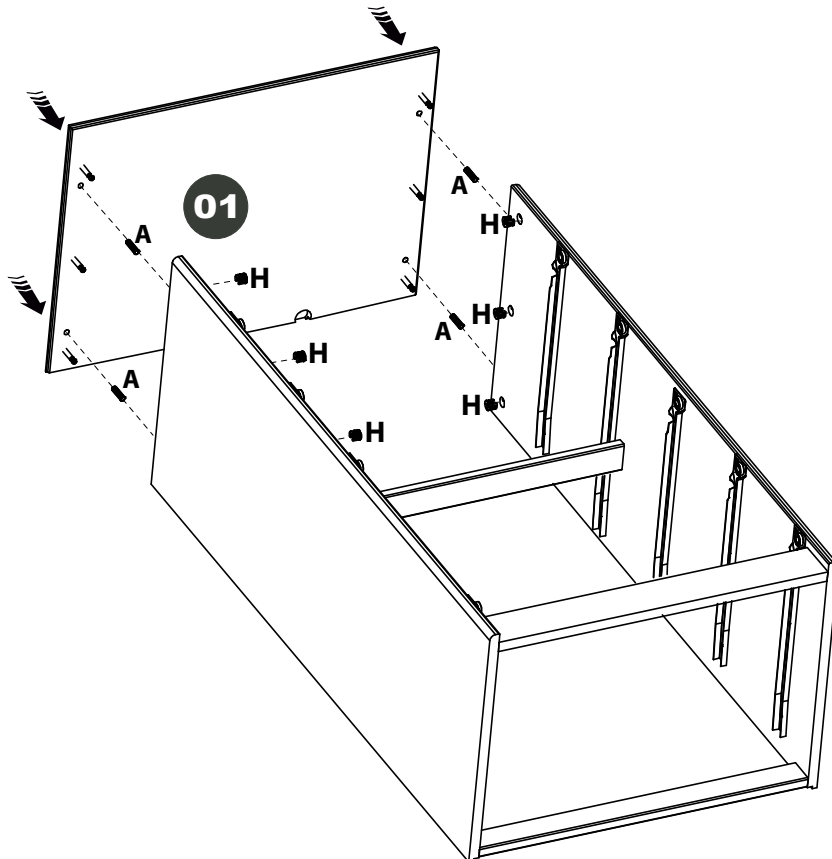


3,5 x 30mm

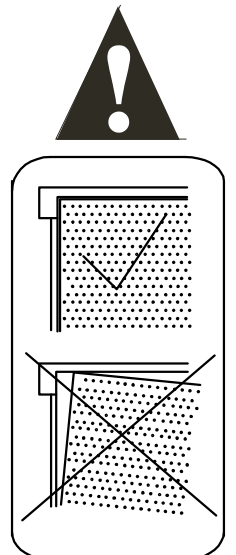
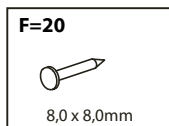
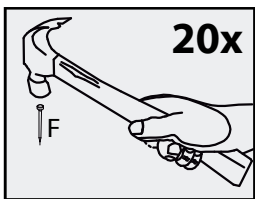
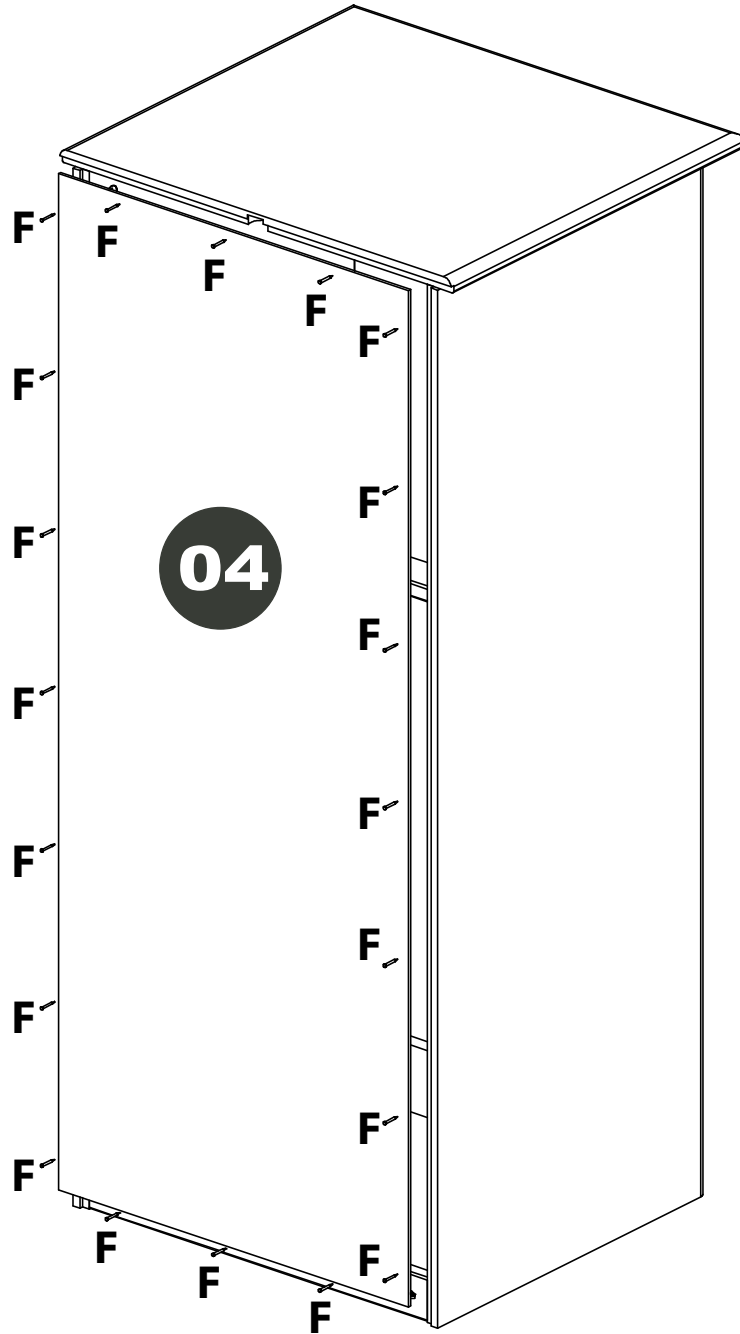
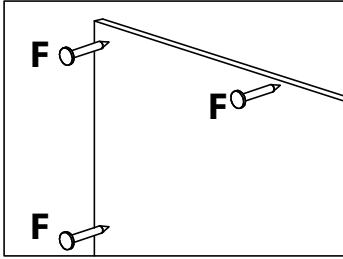
5



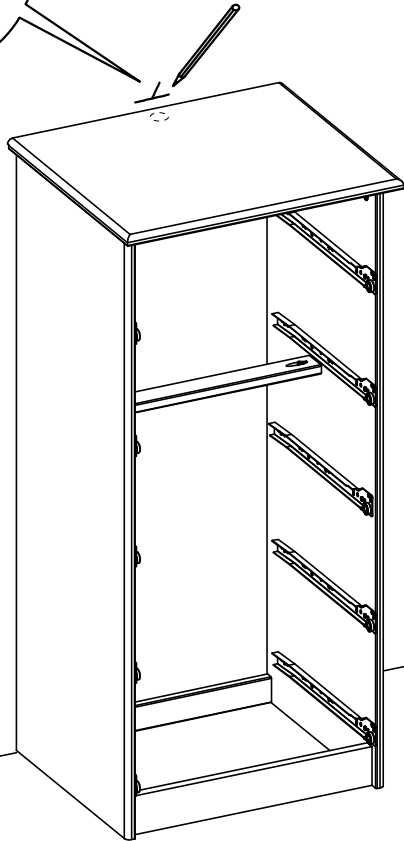
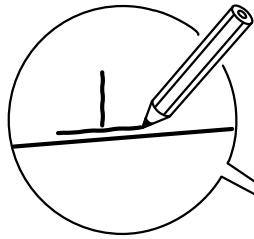
6



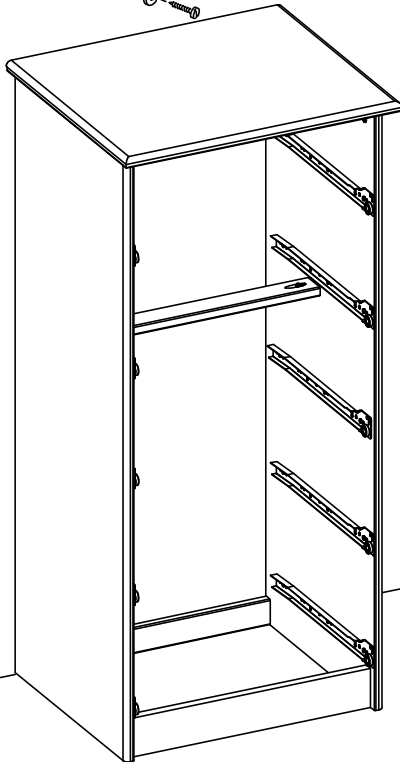
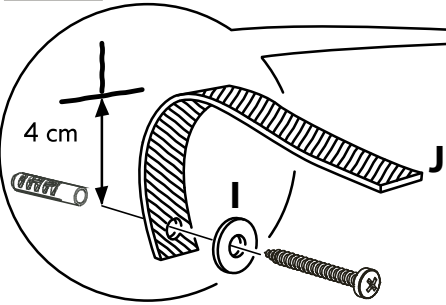
7



8

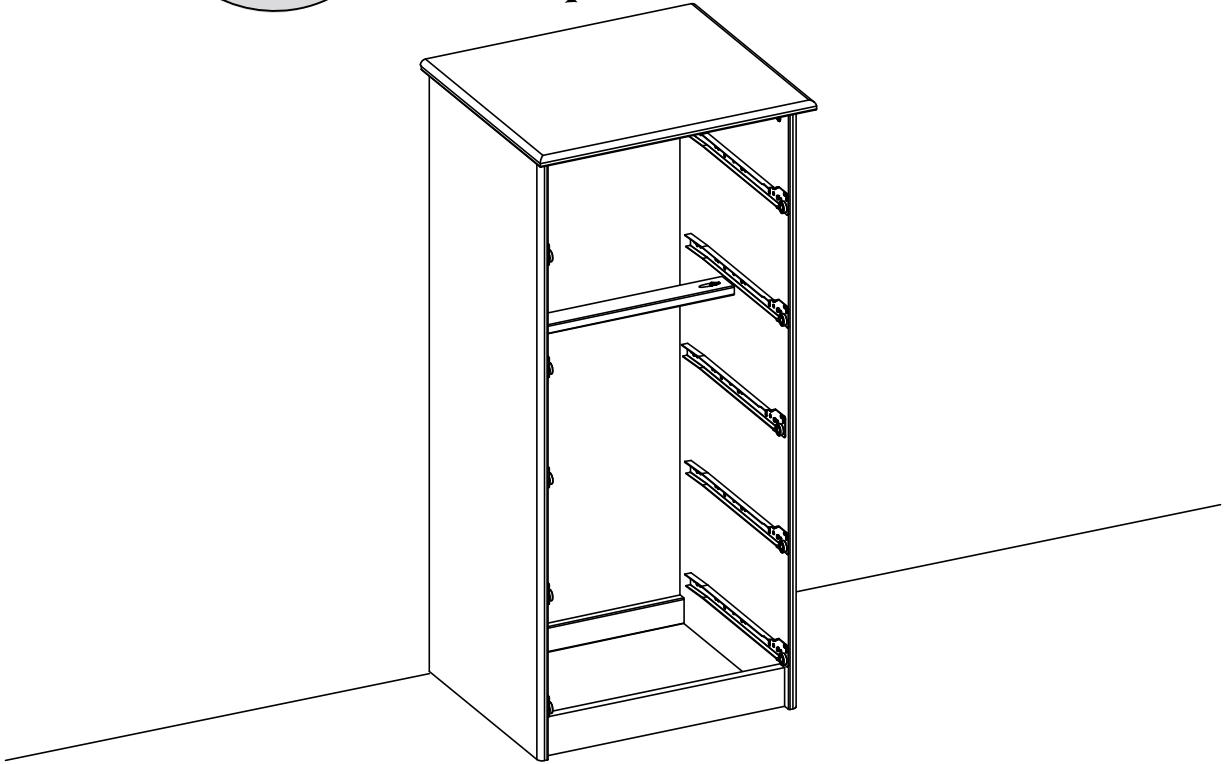
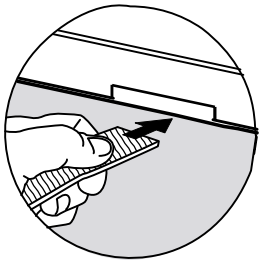


9

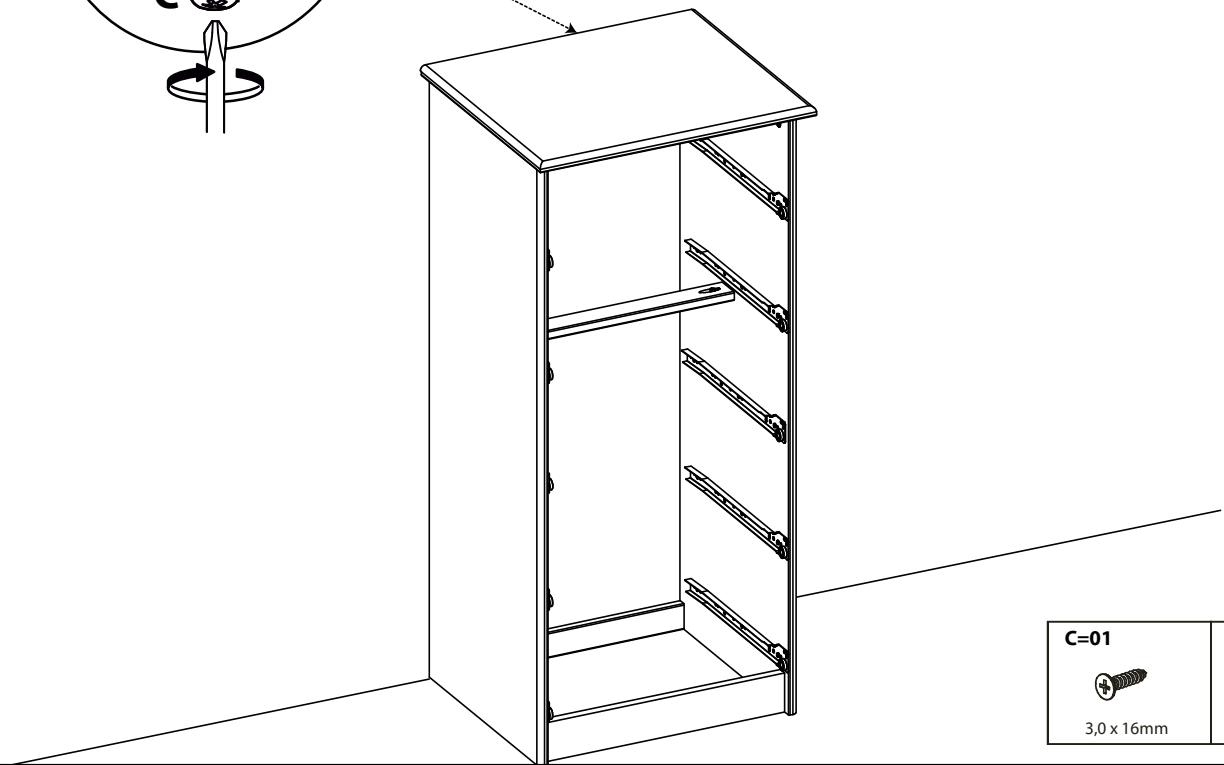
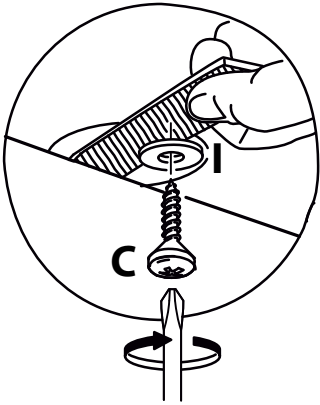




I=01	J=01

10



11

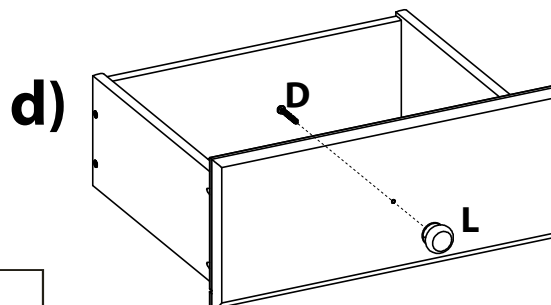
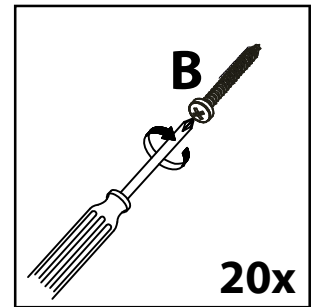
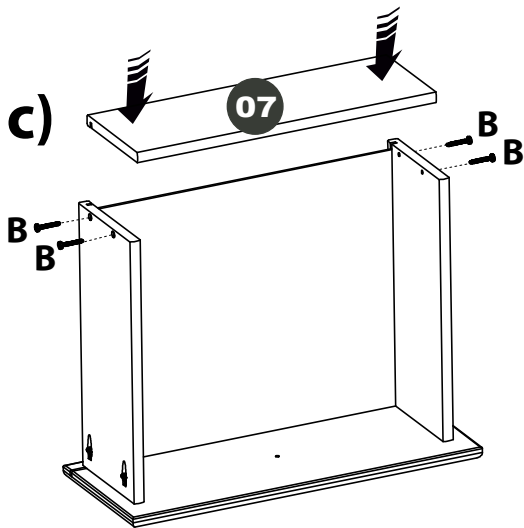
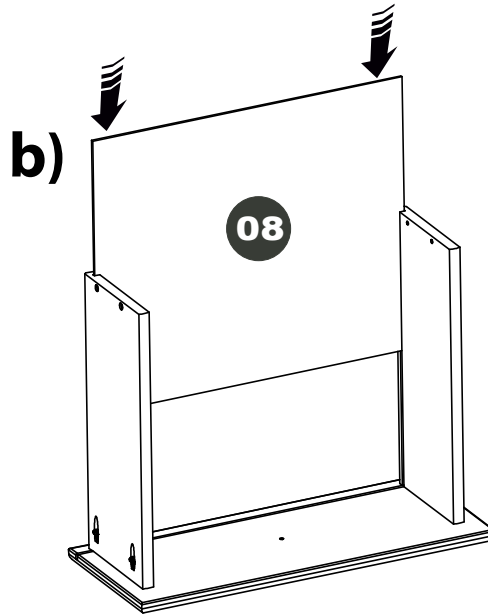
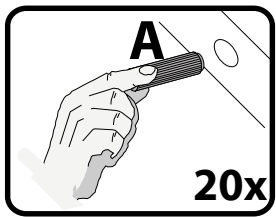
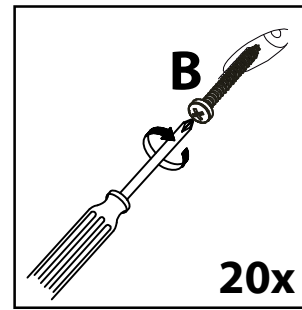
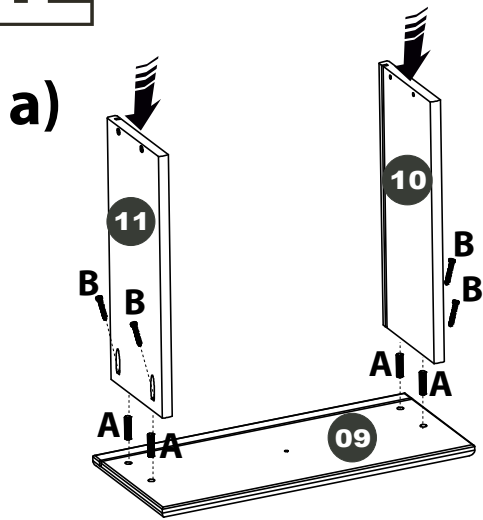






<b>C=01</b>  3,0 x 16mm	<b>I=01</b> 
--	--



12

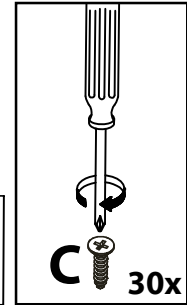
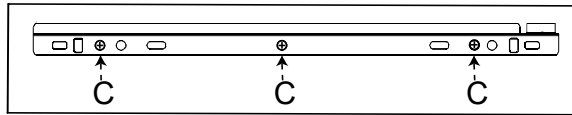
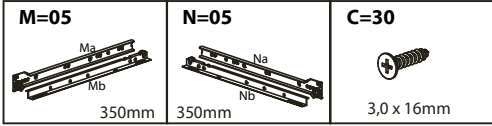
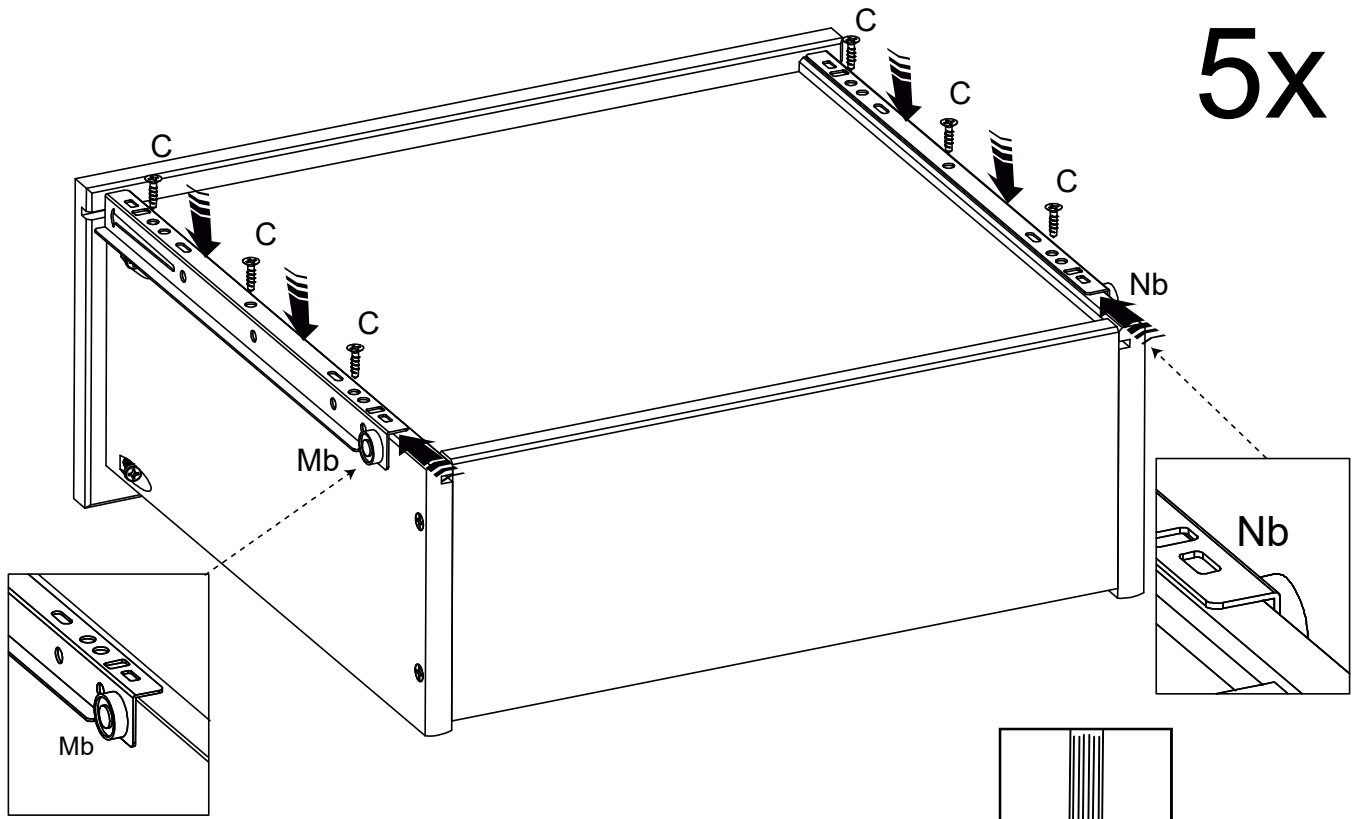
5X



L=05 	D=05  4,0 x 40mm	A=20  8,0 x 30mm	B=40  3,5 x 30mm
---	---	---	---

13

5x



14

