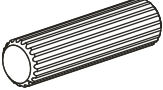
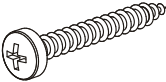
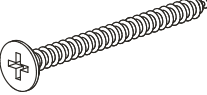
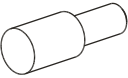

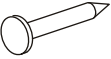
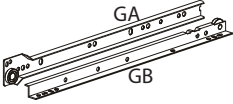
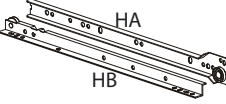




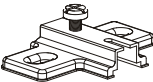
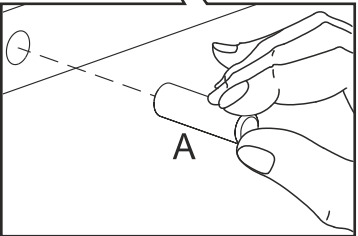
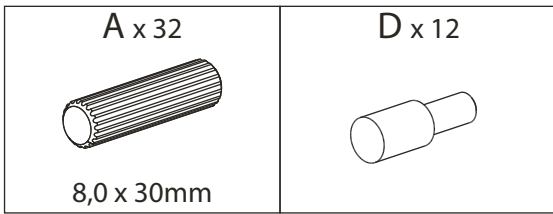
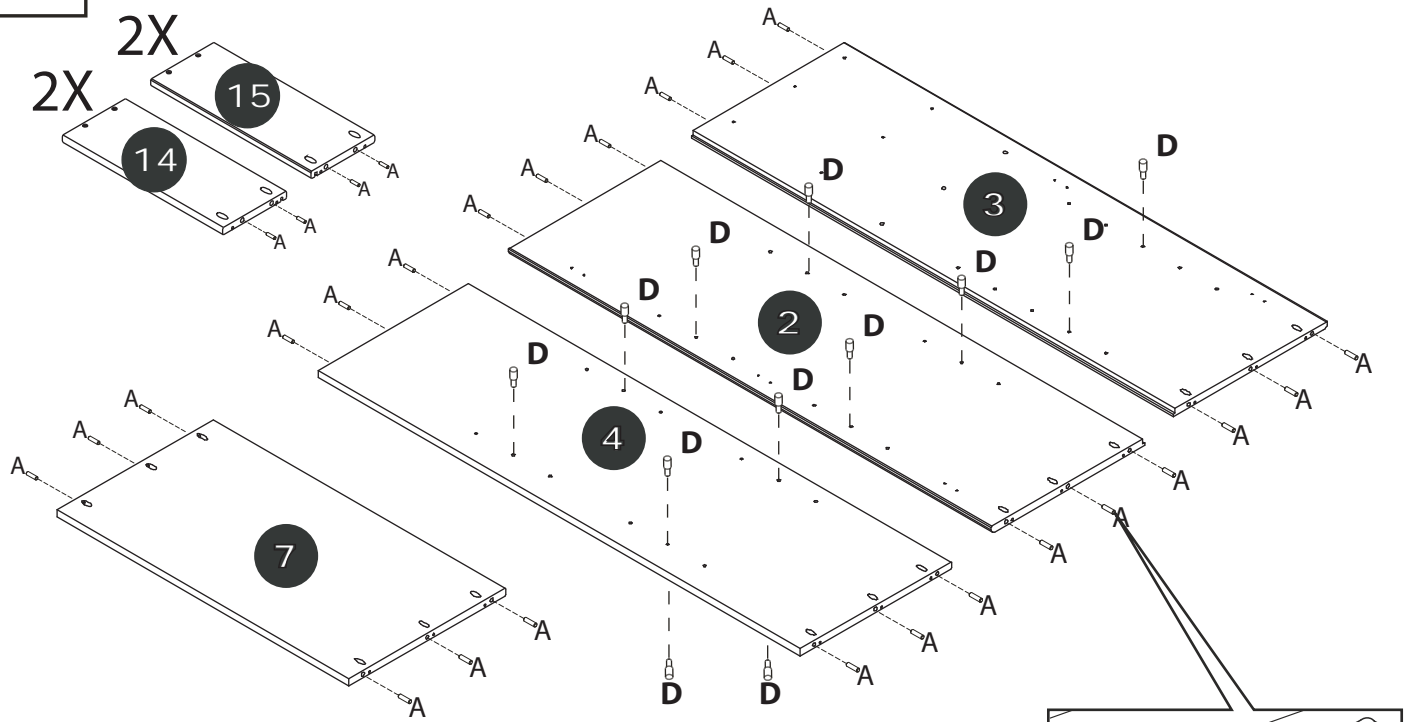
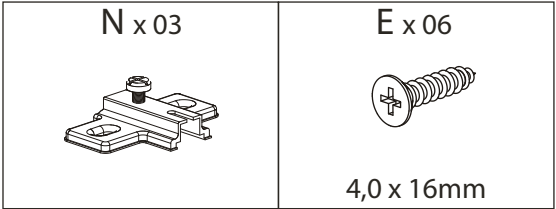
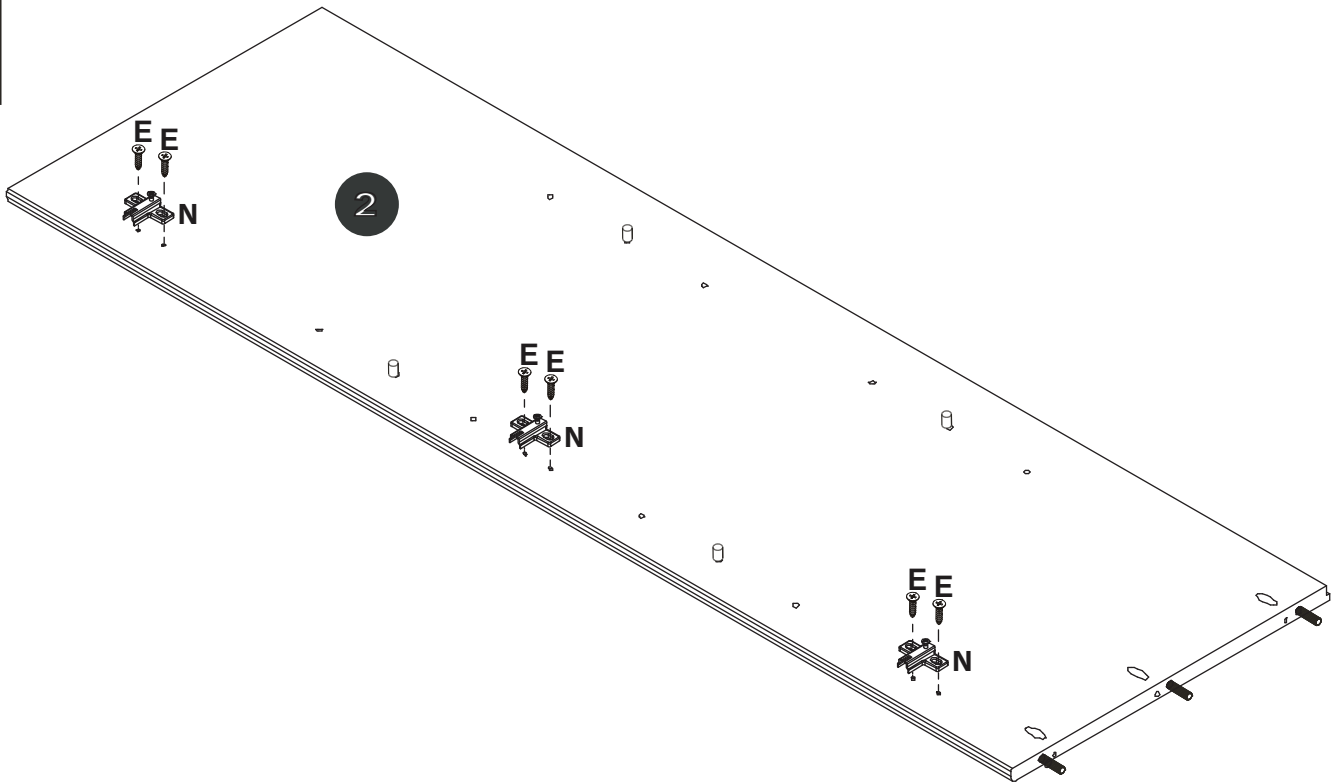


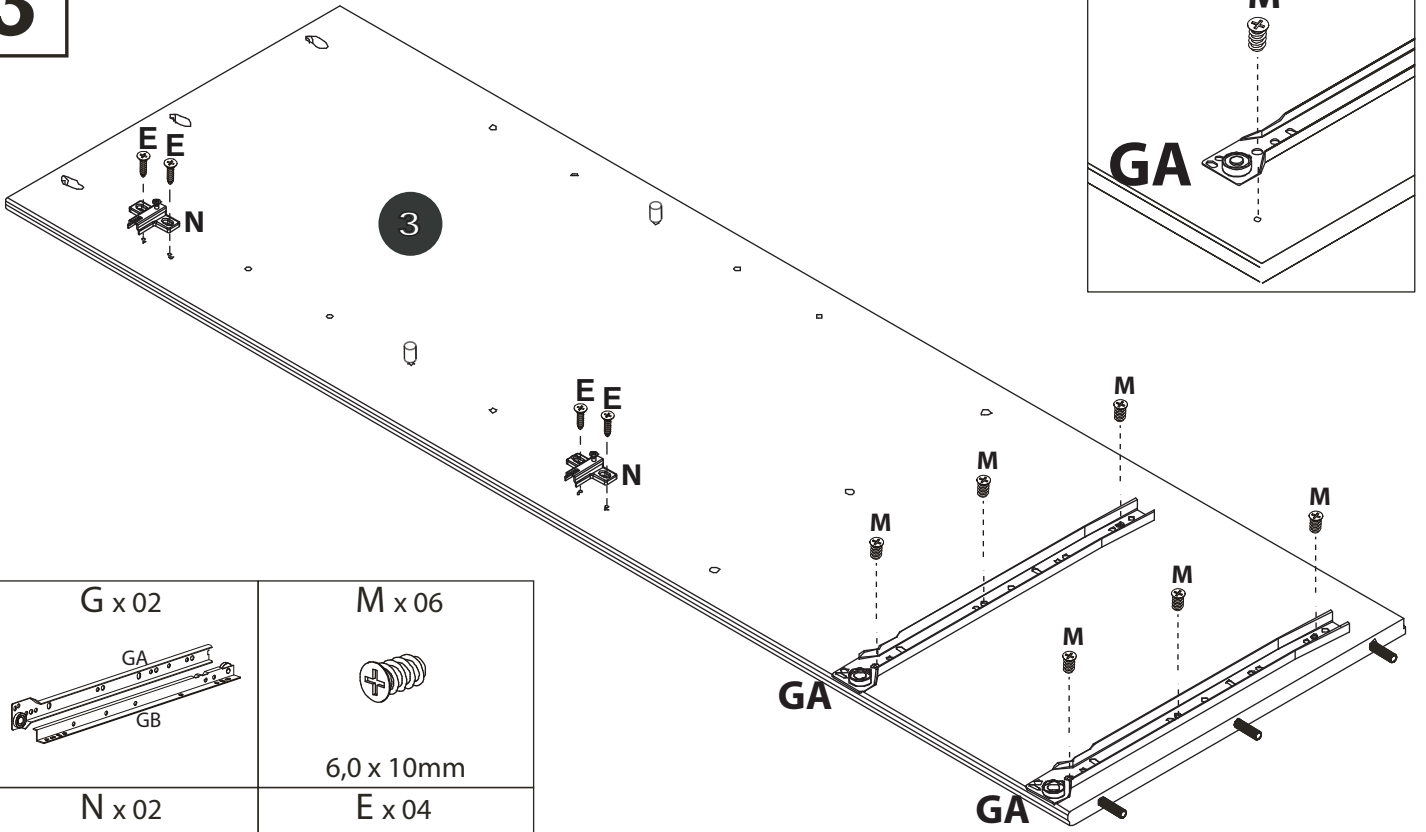
<p>A x 32</p>  <p>8,0 x 30mm</p>	<p>B x 52</p>  <p>3,5 x 30mm</p>	<p>C x 18</p>  <p>4,0 x 40mm</p>	<p>D x 12</p> 	<p>E x 28</p>  <p>4,0 x 16mm</p>
<p>F x 30</p> 	<p>G x 02</p> 	<p>H x 02</p> 	<p>I x 07</p> 	<p>J x 07</p> 
<p>L x 12</p>  <p>3,0 x 16mm</p>	<p>M x 12</p>  <p>6,0 x 10mm</p>	<p>N x 07</p> 		

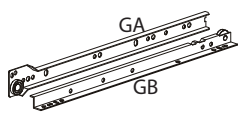

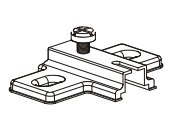

# 1

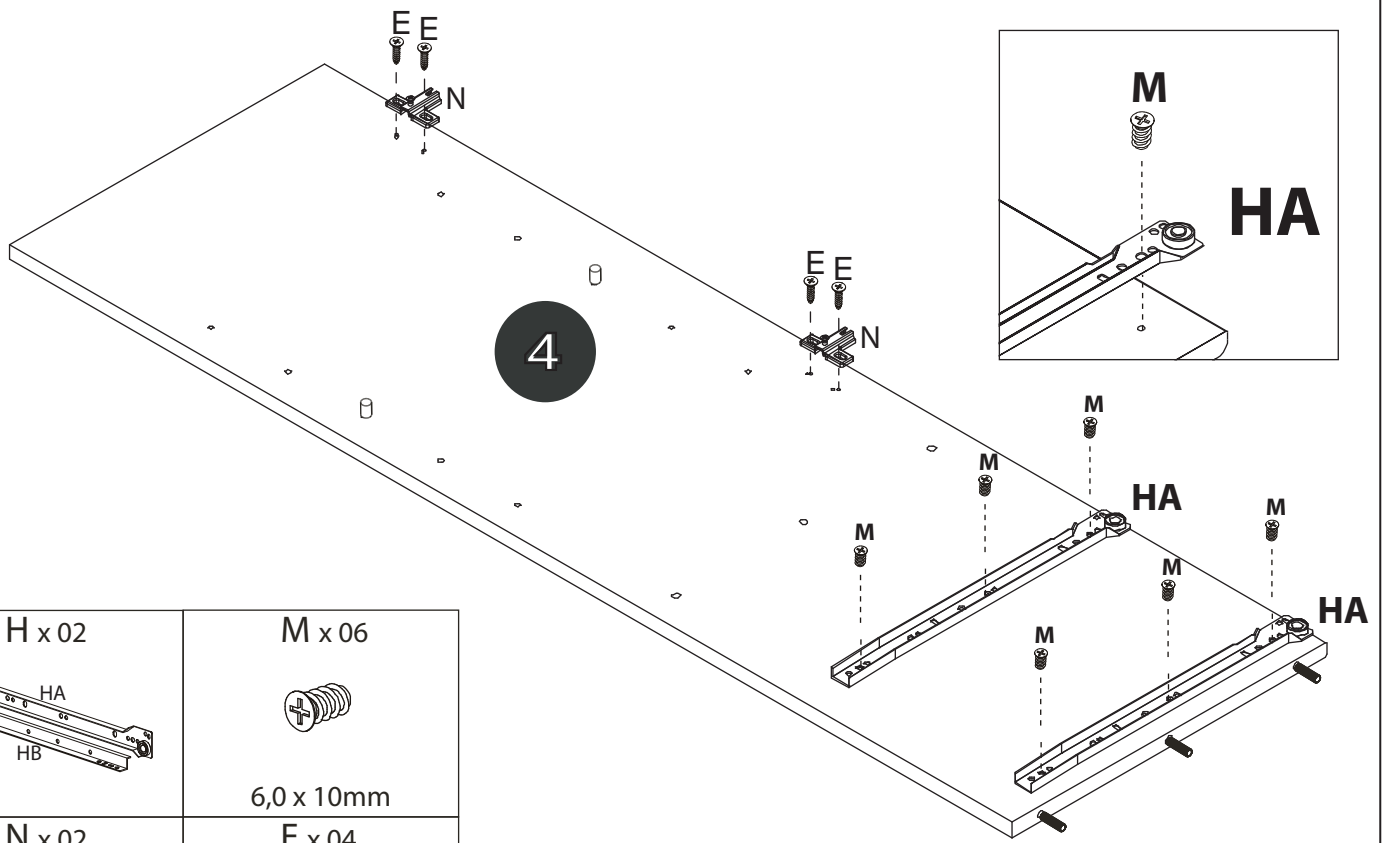


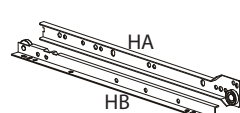

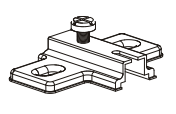

# 2



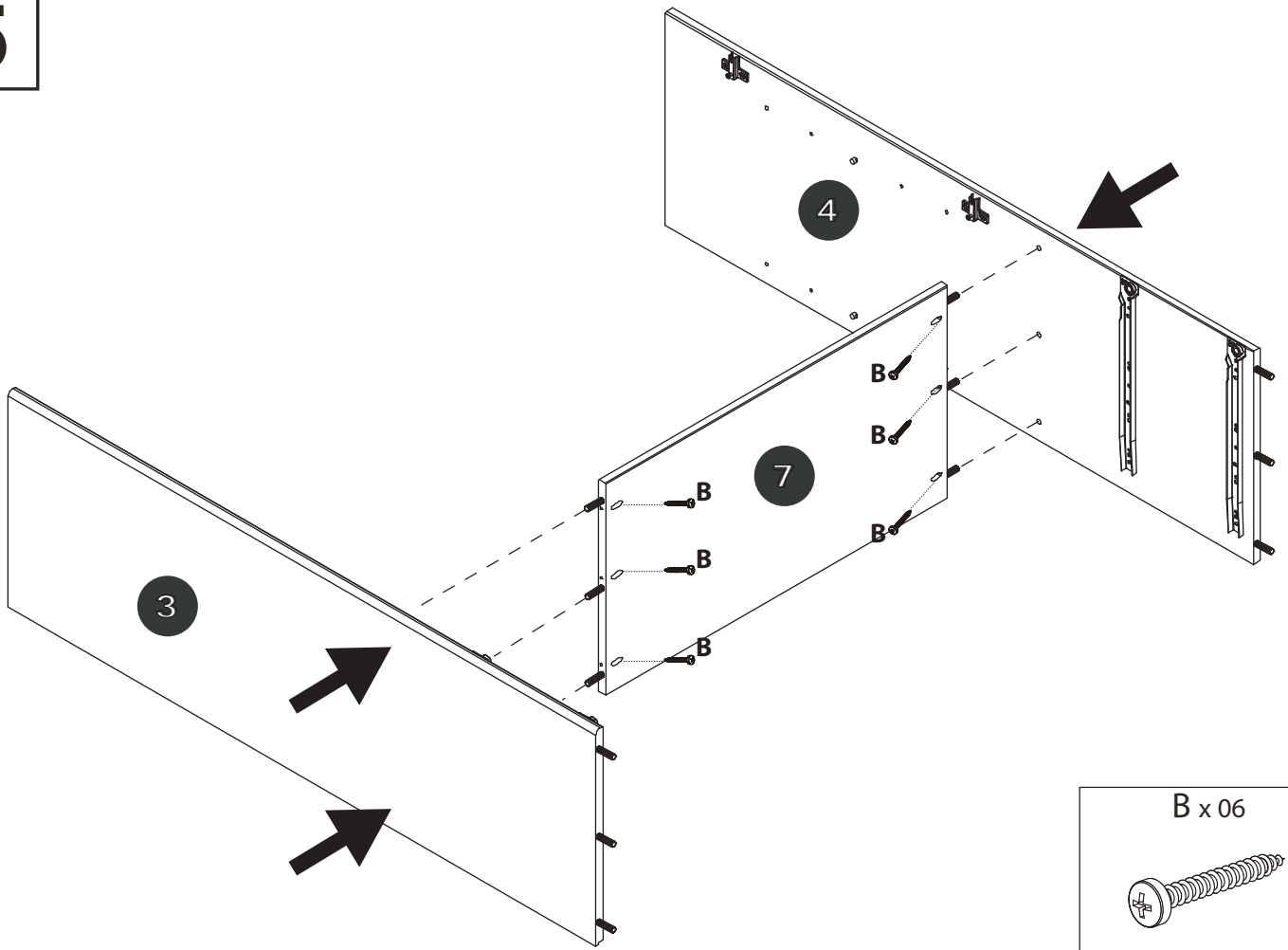
**3**

<b>G x 02</b> 	<b>M x 06</b>  6,0 x 10mm
<b>N x 02</b> 	<b>E x 04</b>  4,0 x 16mm

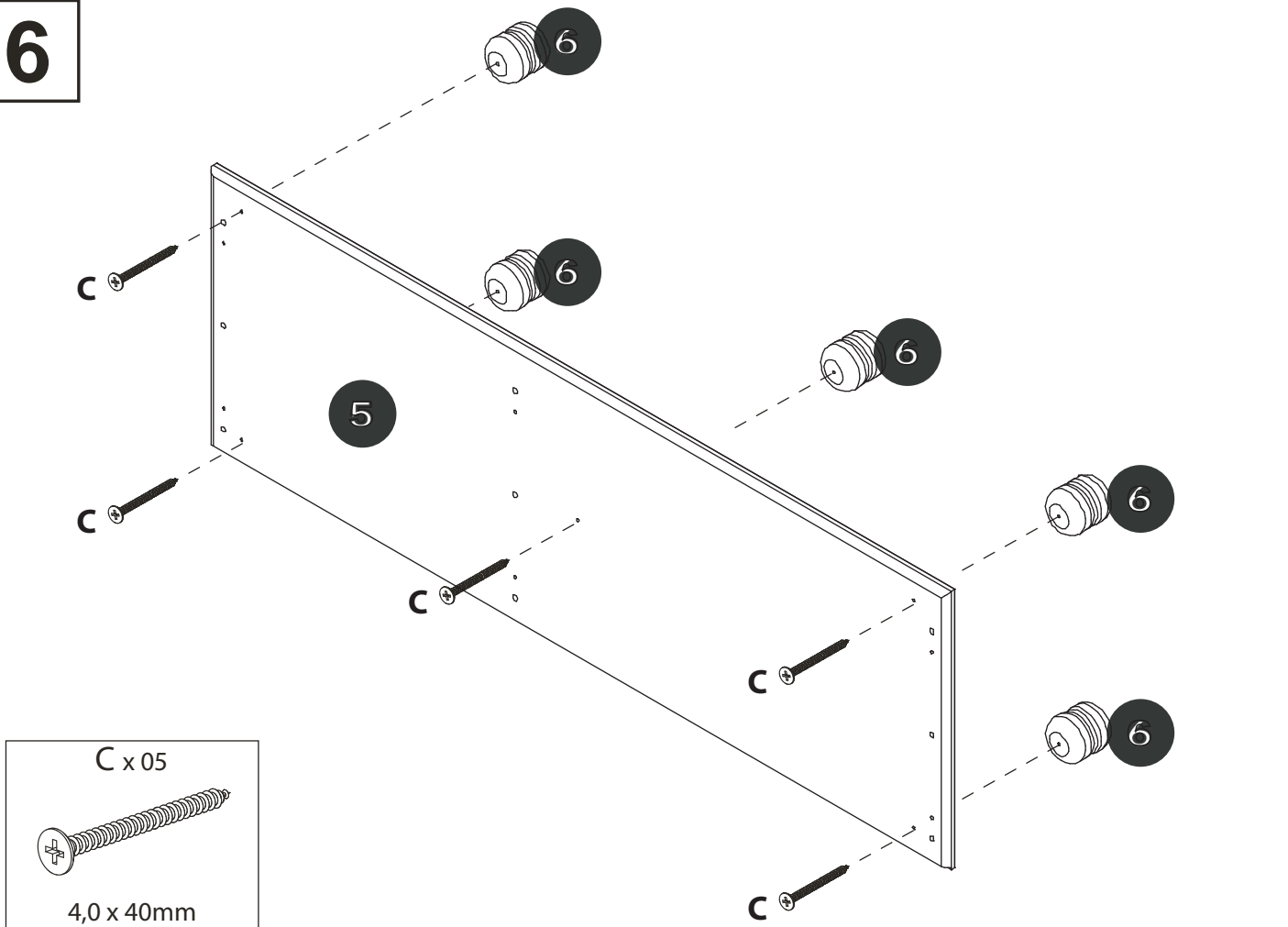
**4**

<b>H x 02</b> 	<b>M x 06</b>  6,0 x 10mm
<b>N x 02</b> 	<b>E x 04</b>  4,0 x 16mm

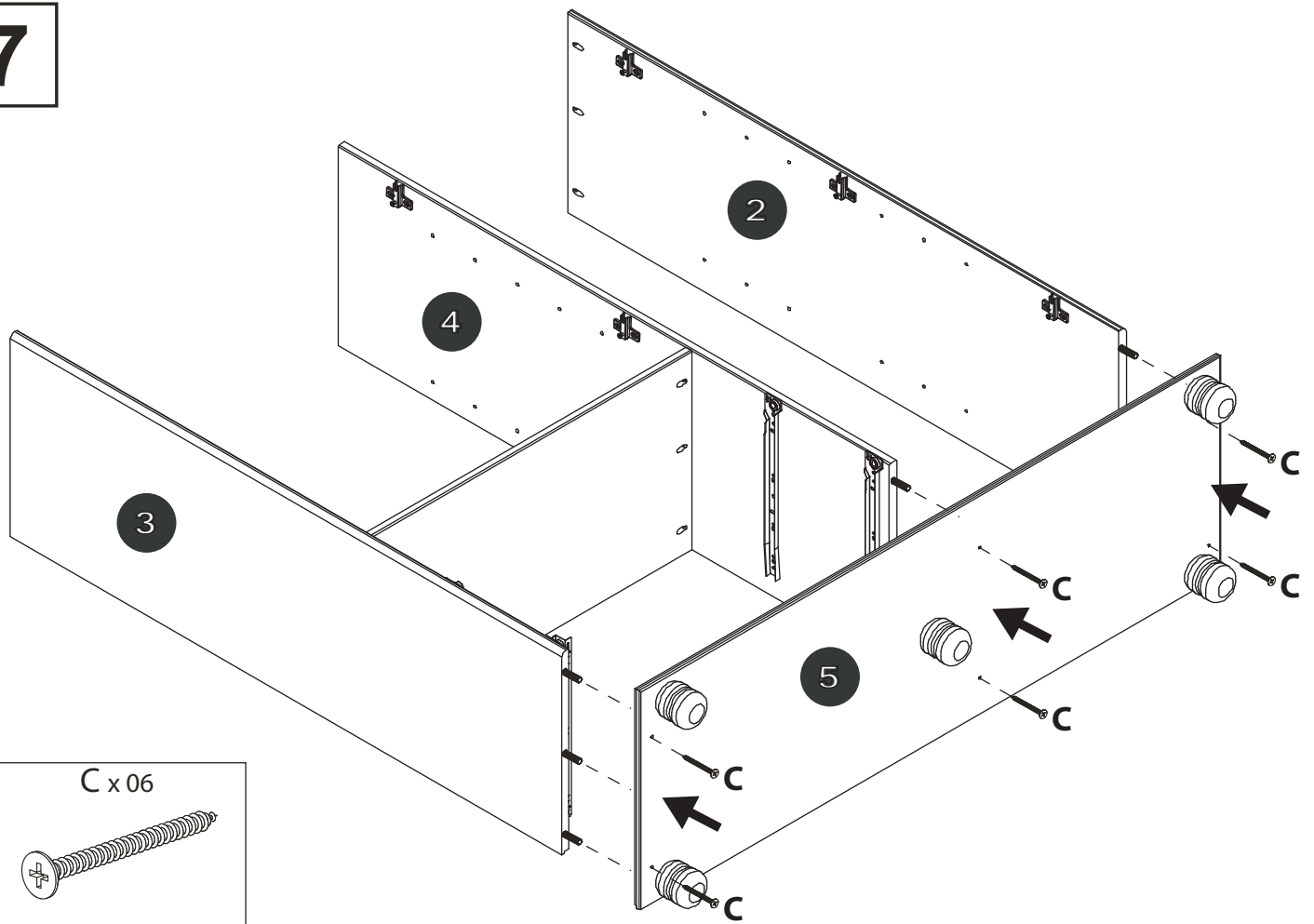
5



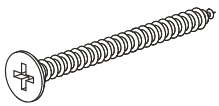
6



7

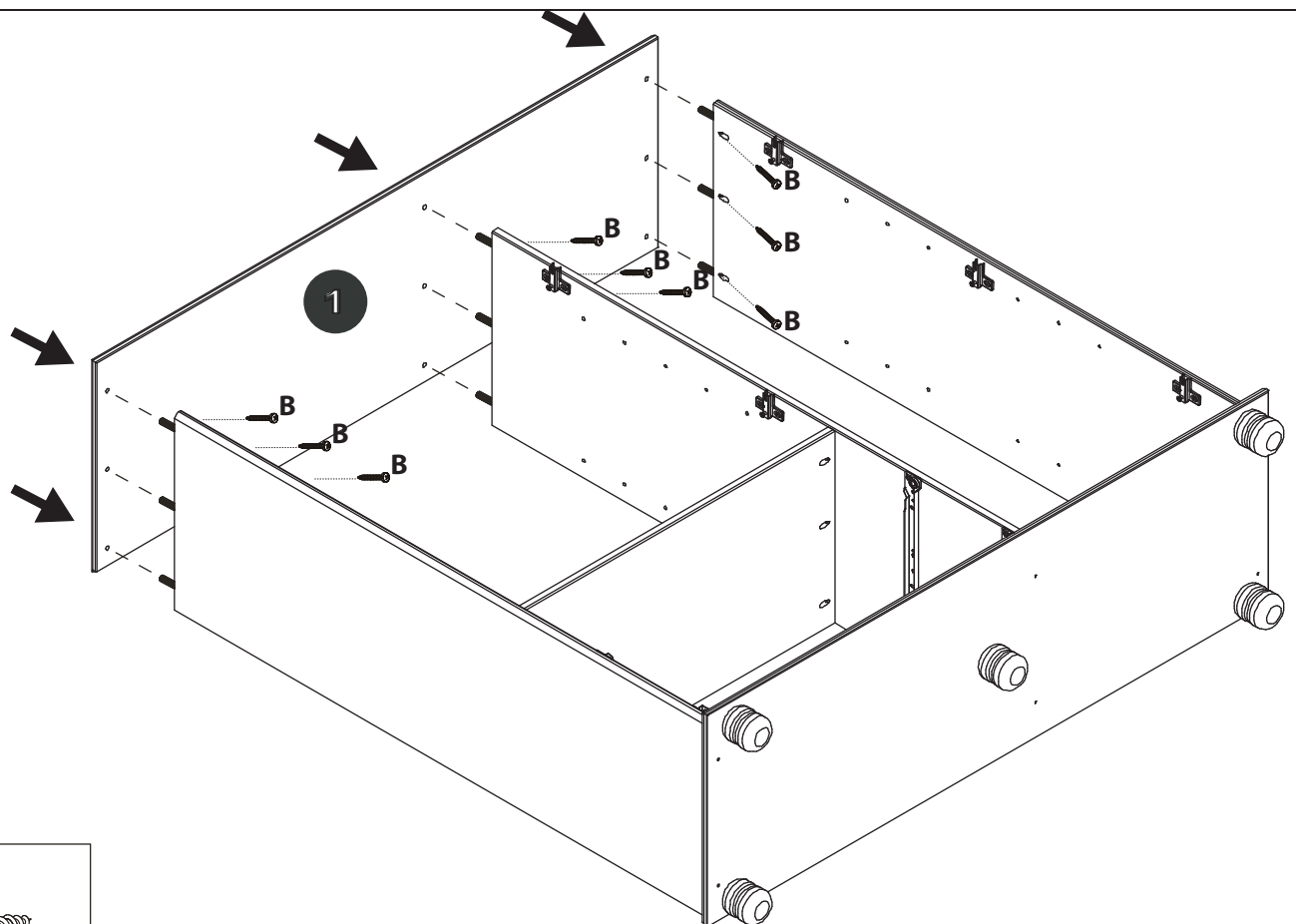


C x 06

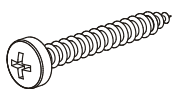


4,0 x 40mm

8

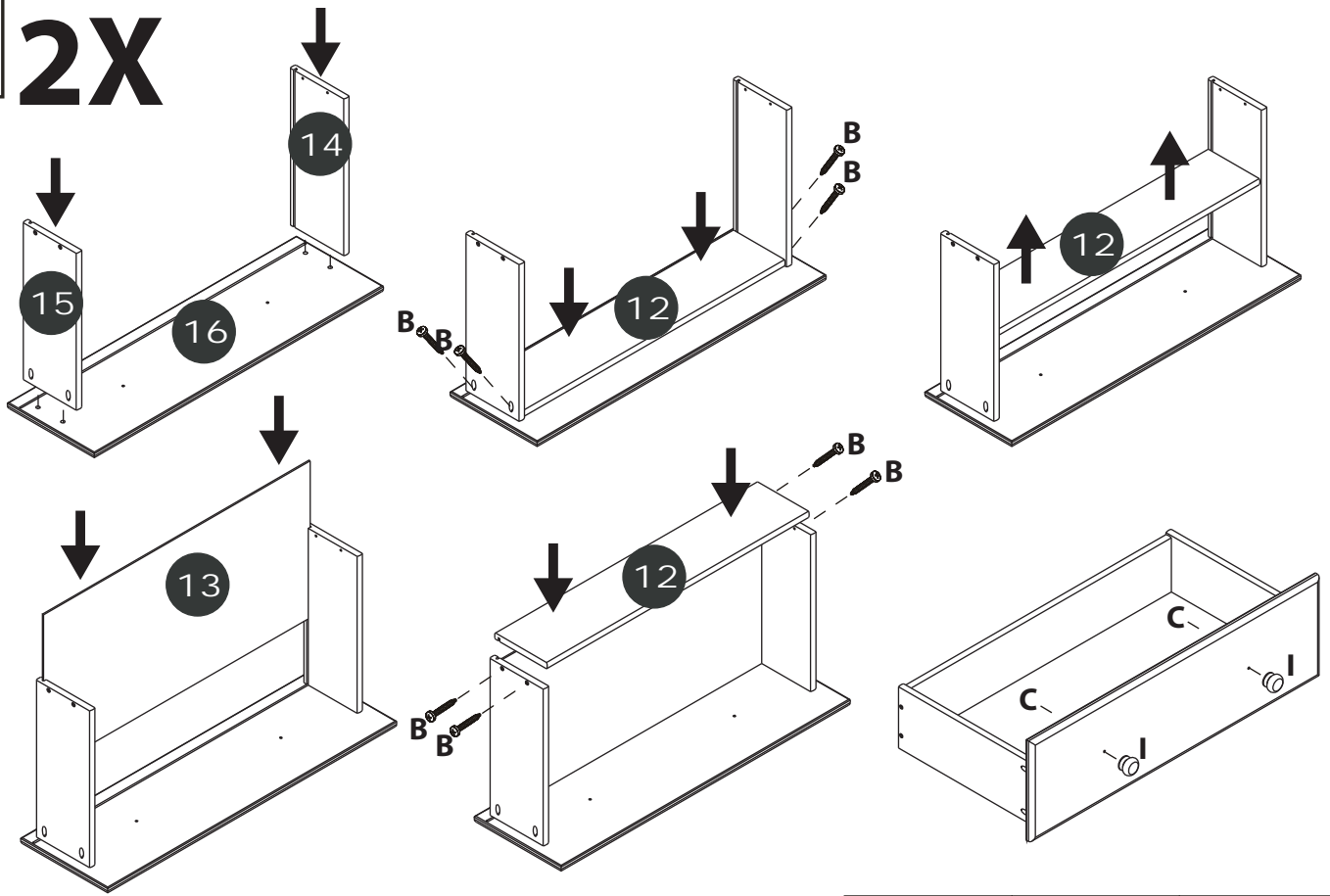


B x 09



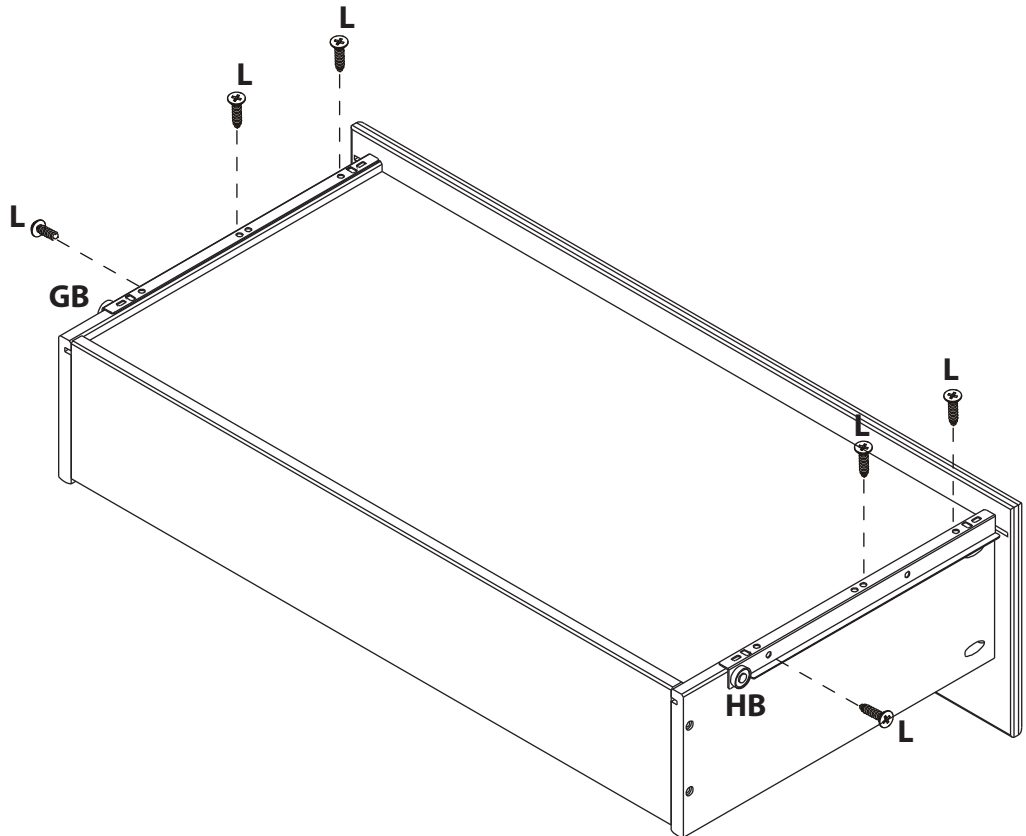
3,5 x 30mm

# 9 2X



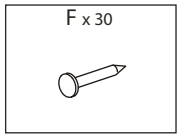
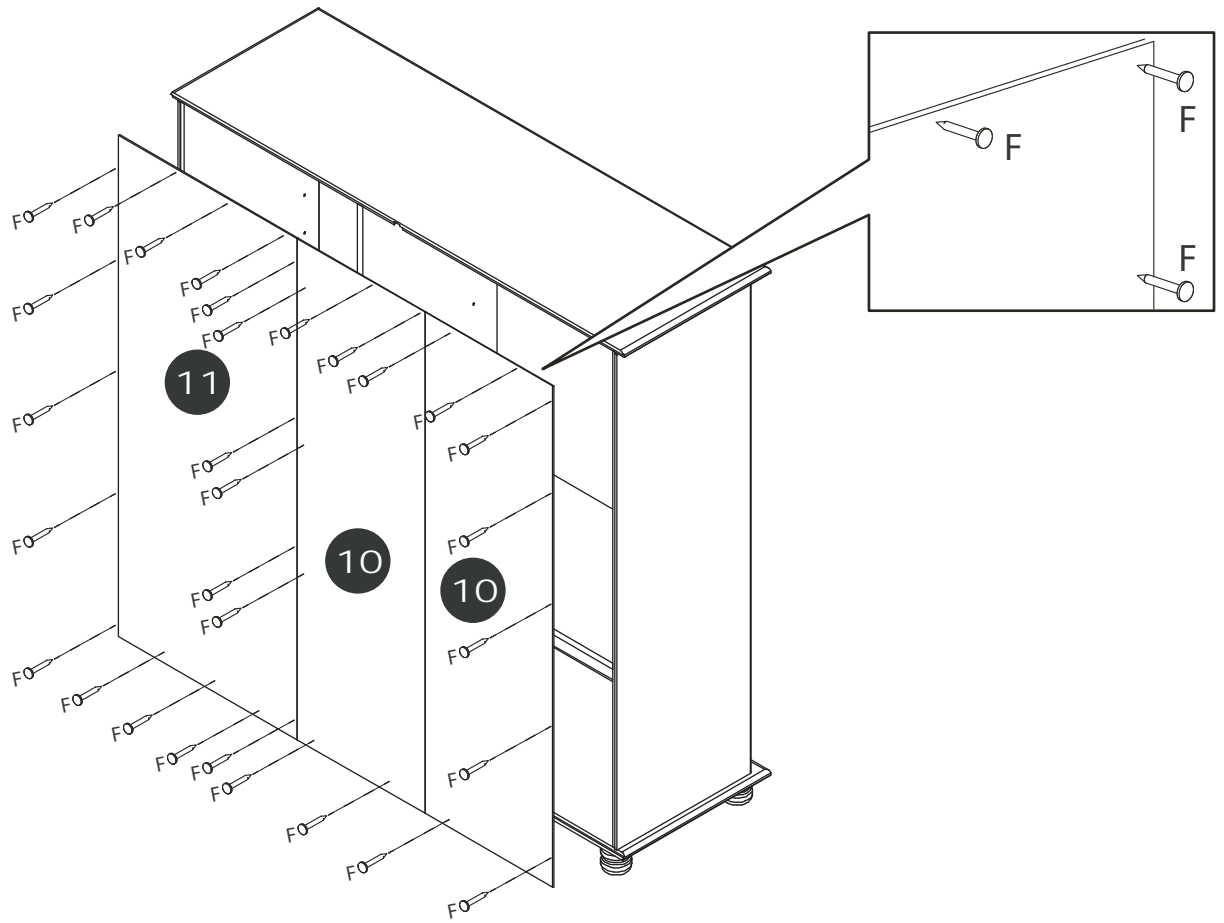
C x 04 4,0 x 40mm	B x 16 3,5 x 30mm	I x 04
----------------------	----------------------	--------

# 10 2X

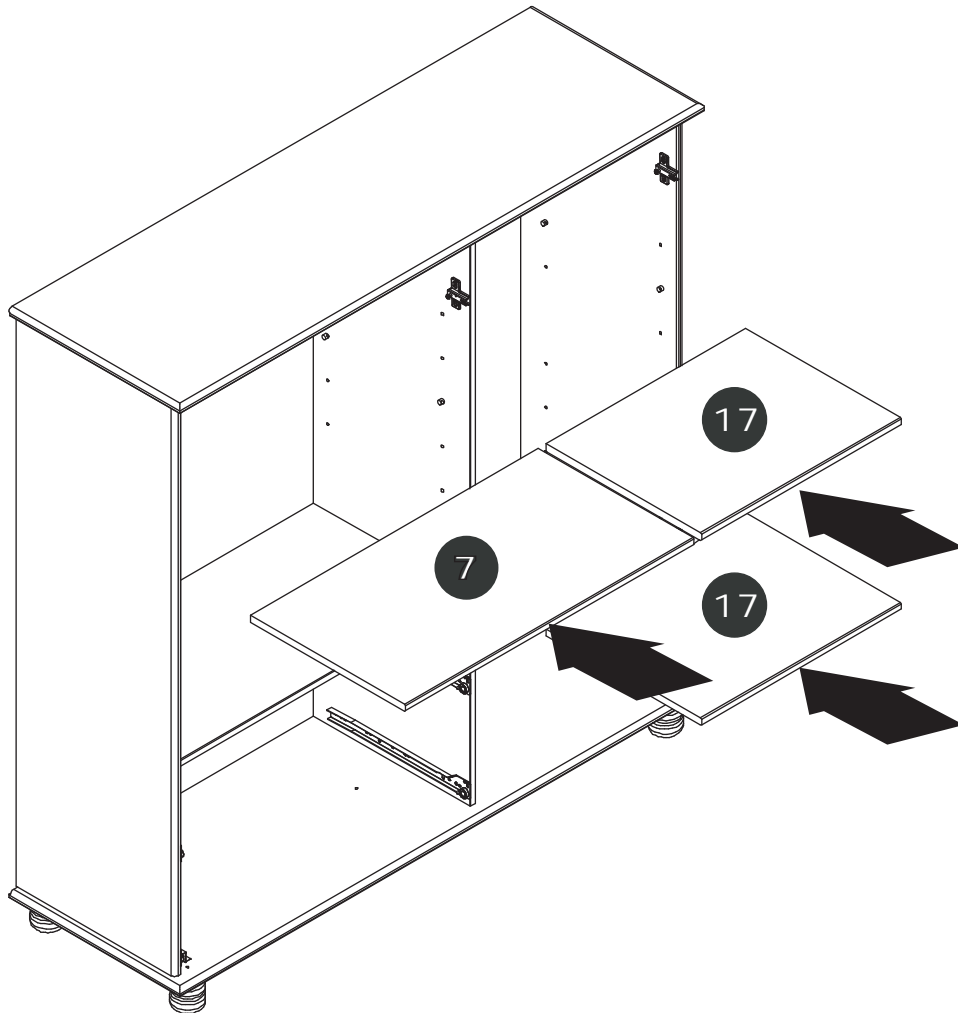


G x 02 GA GB	H x 02 HA HB	L x 12 3,0 x 16mm
--------------------	--------------------	----------------------

11



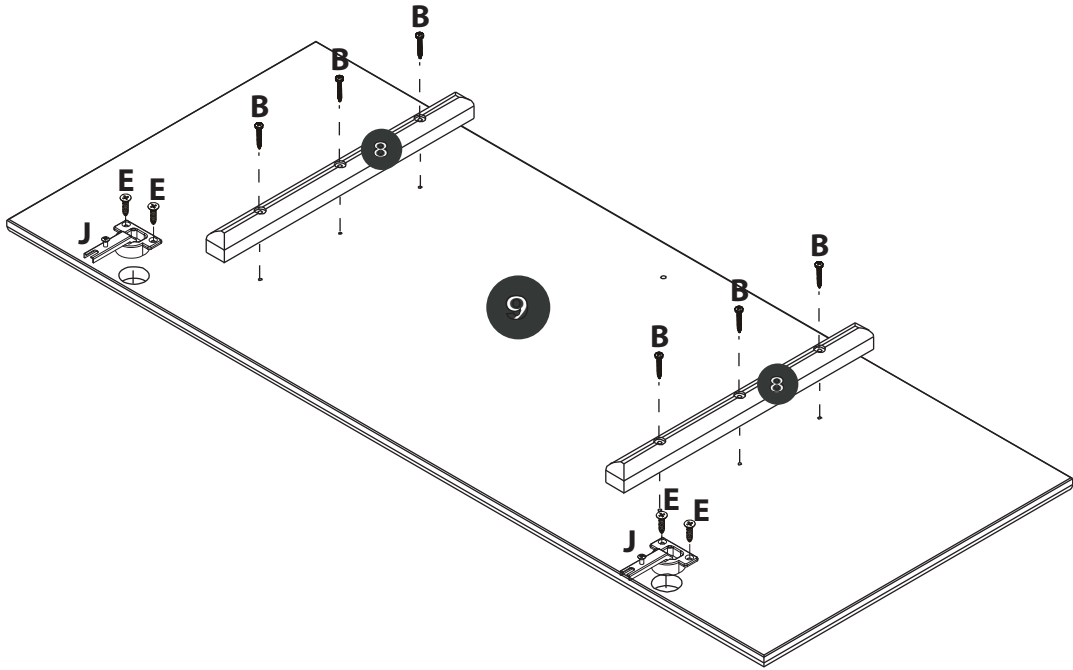
12

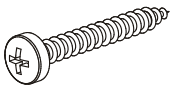
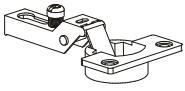





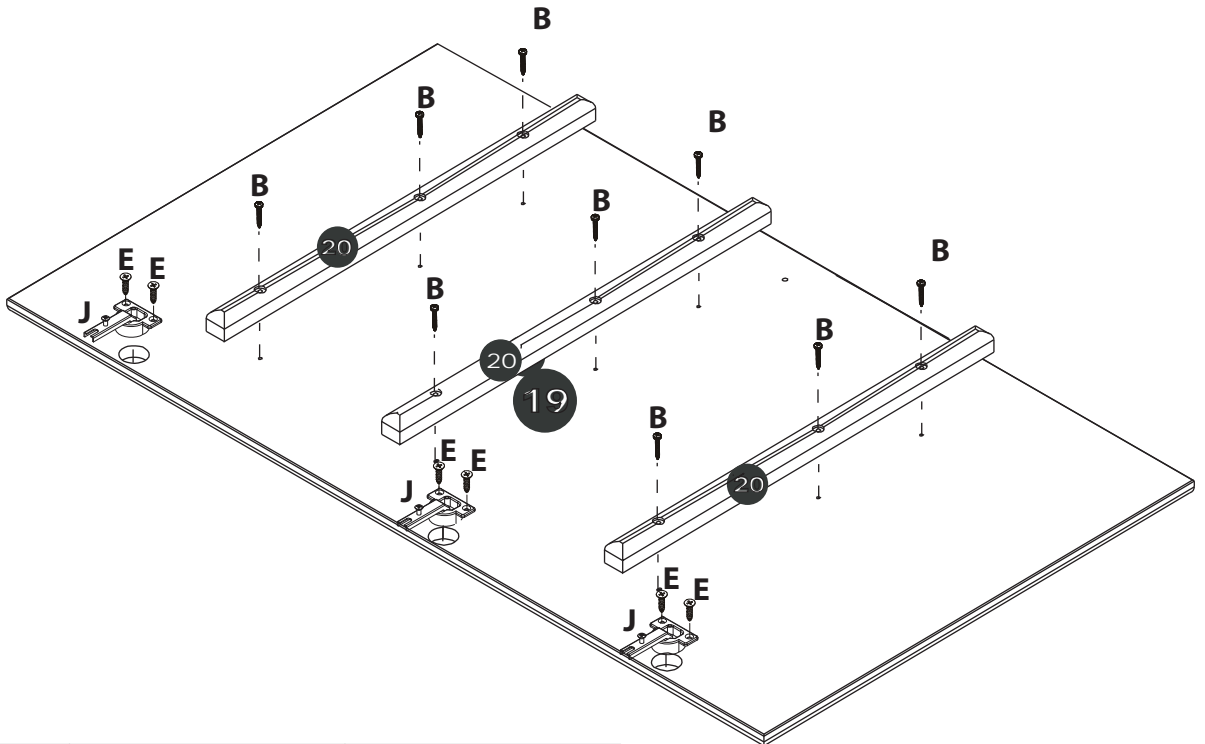
13

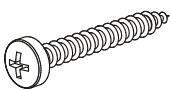


2X



<p>B x 12</p>  <p>3,5 x 30mm</p>	<p>J x 04</p> 	<p>E x 08</p>  <p>4,0 x 16mm</p>
--	--	--

14



<p>B x 09</p>  <p>3,5 x 30mm</p>	<p>J x 03</p> 	<p>E x 06</p>  <p>4,0 x 16mm</p>
---	---	---

