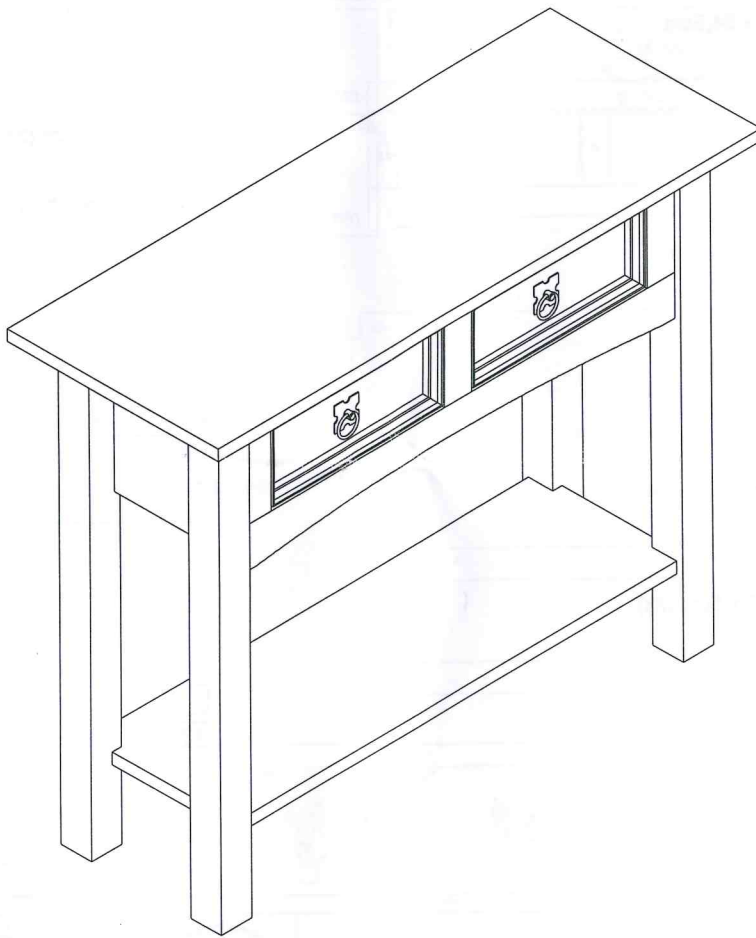
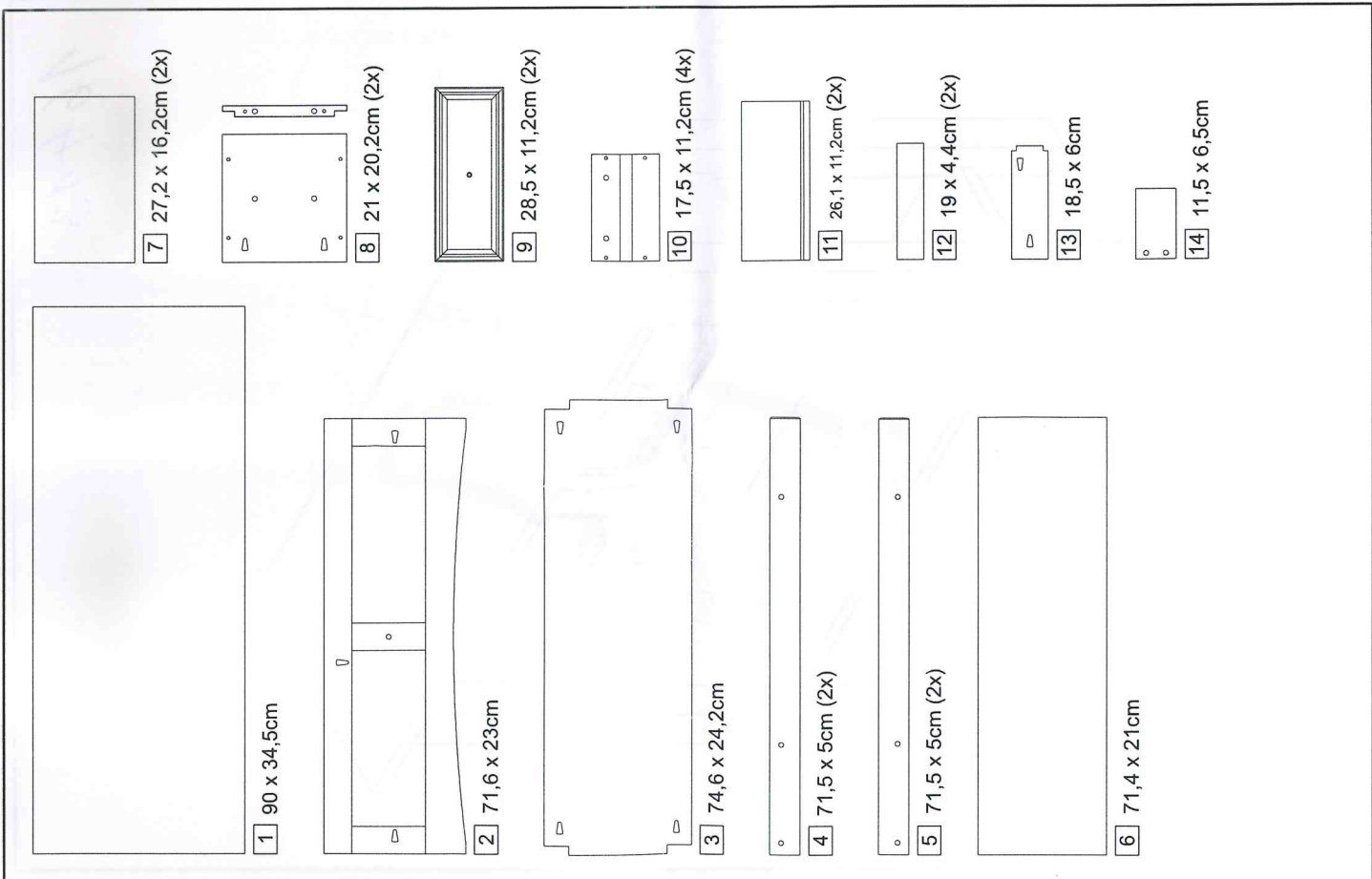

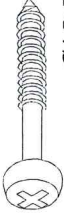







16413

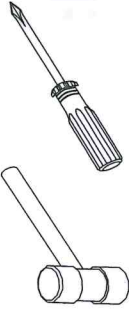

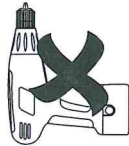
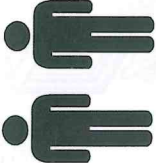

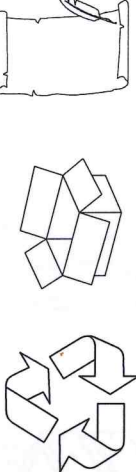



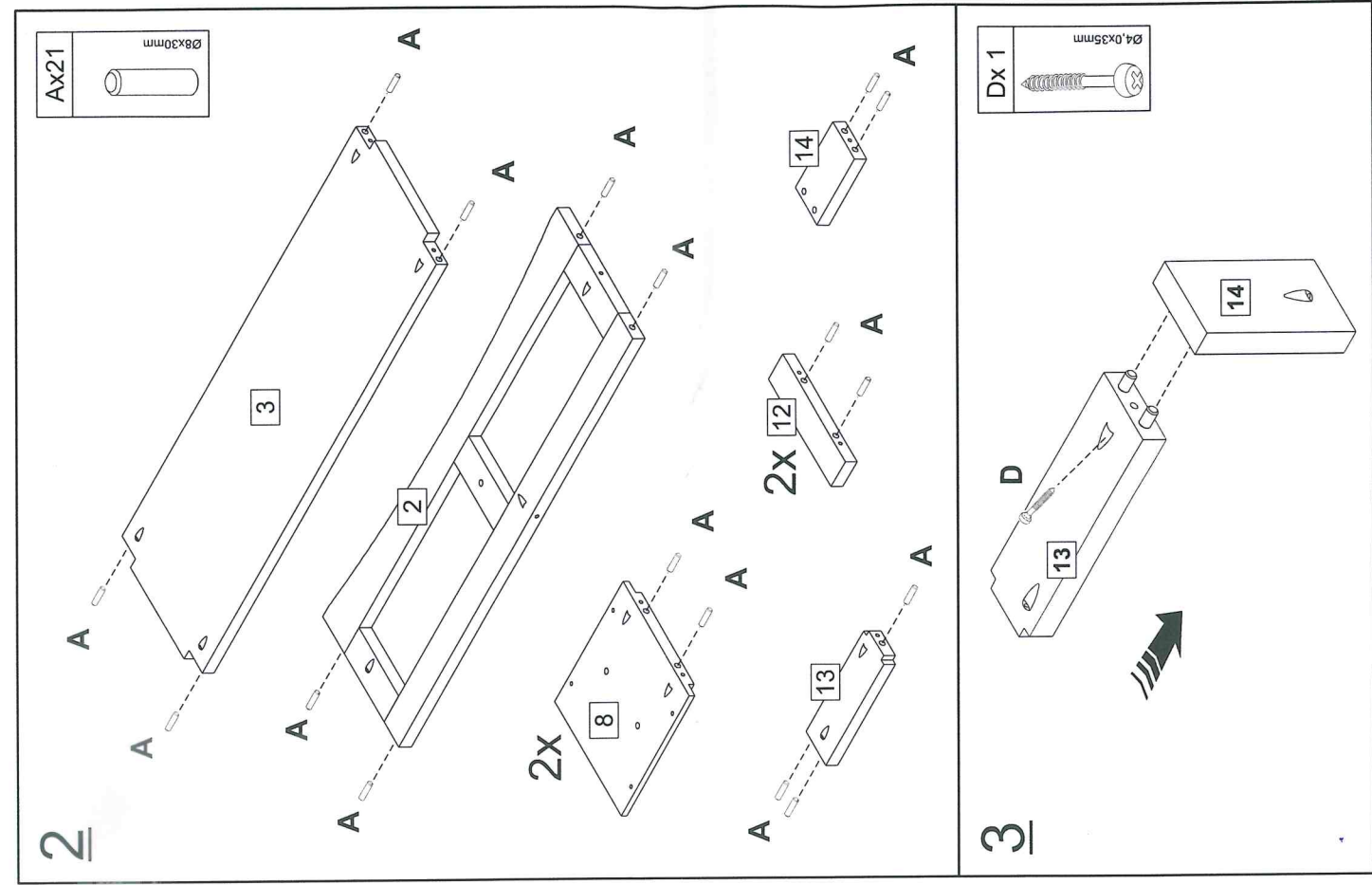
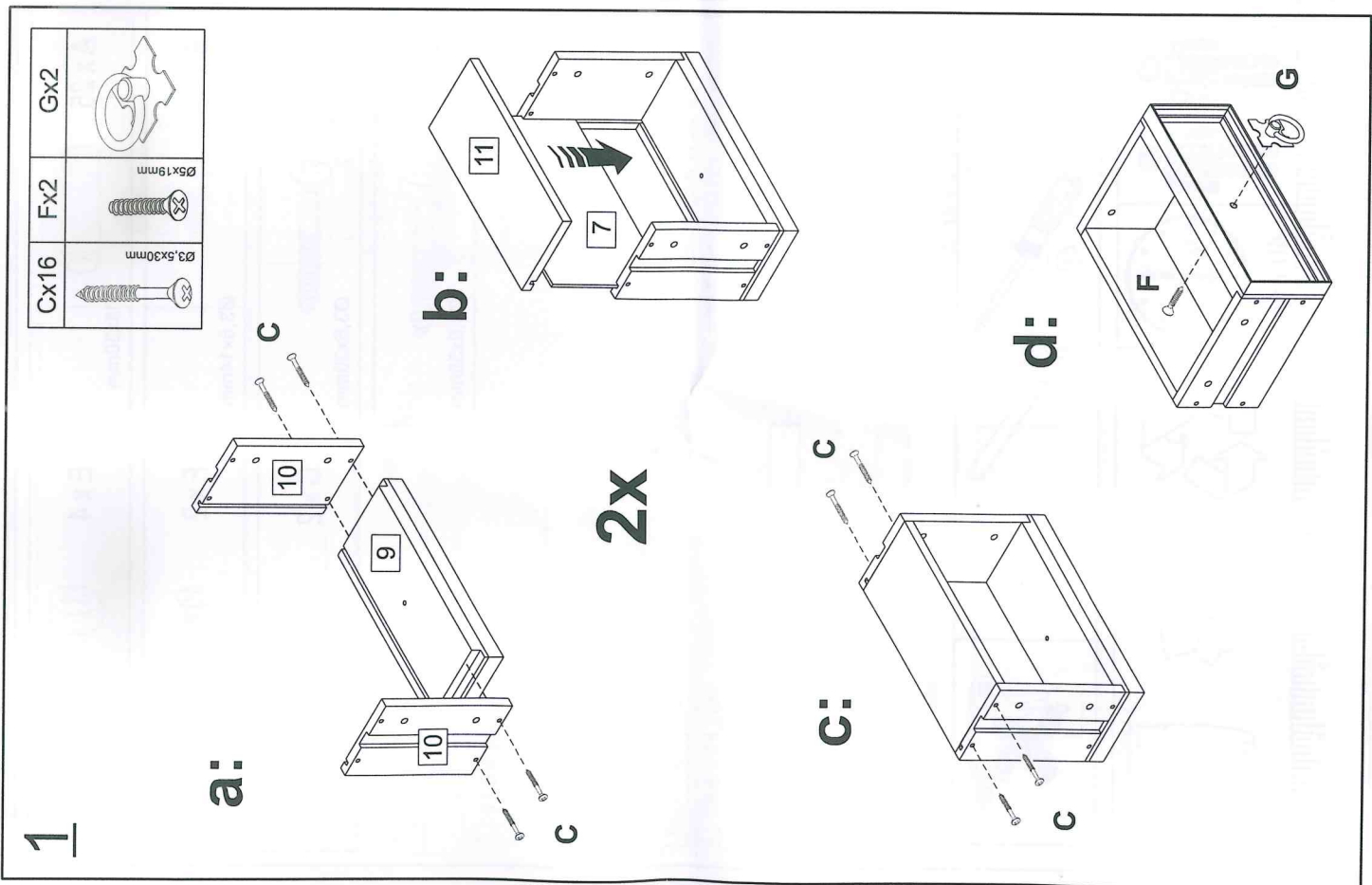
Ref.: 420

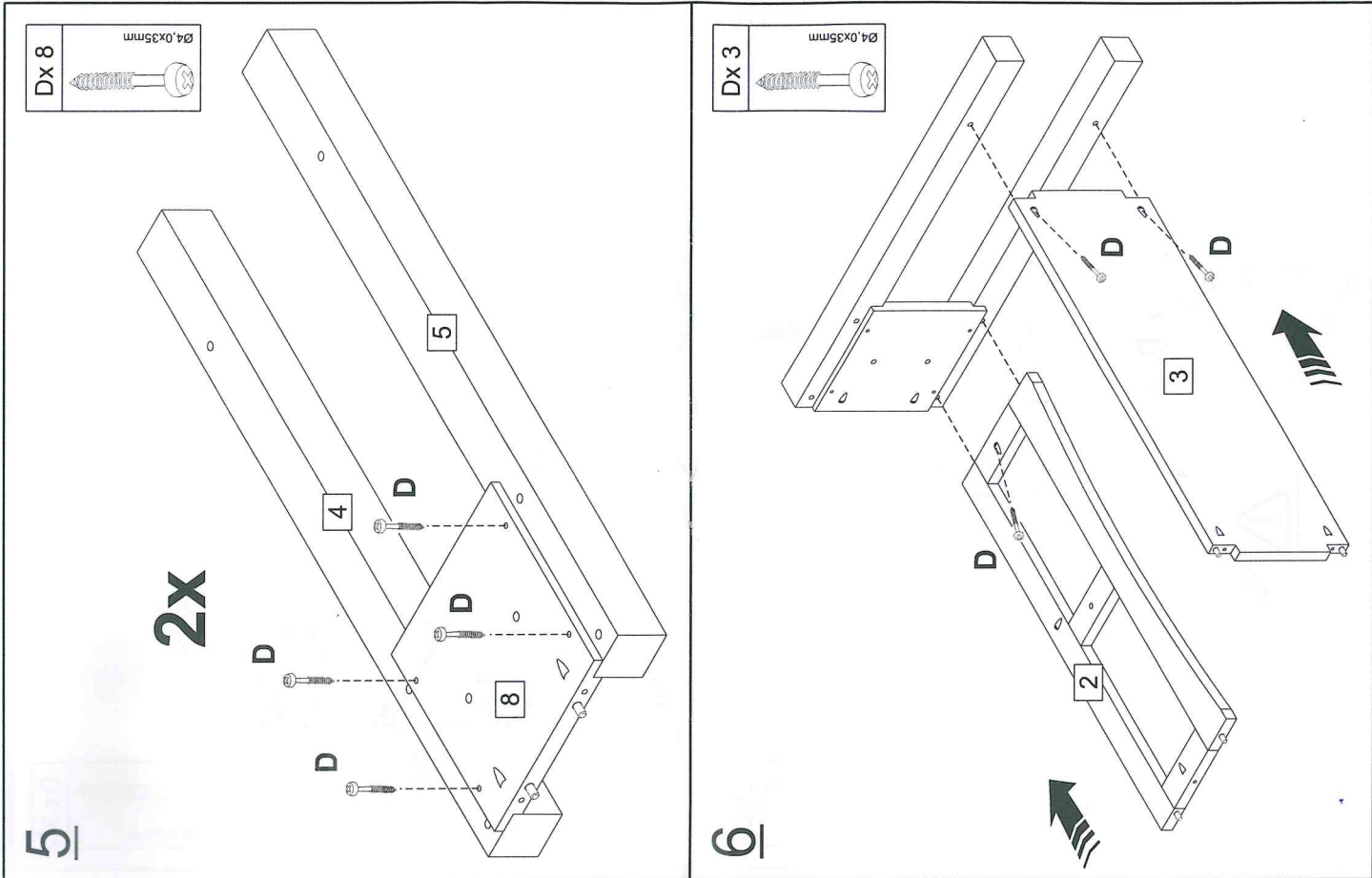
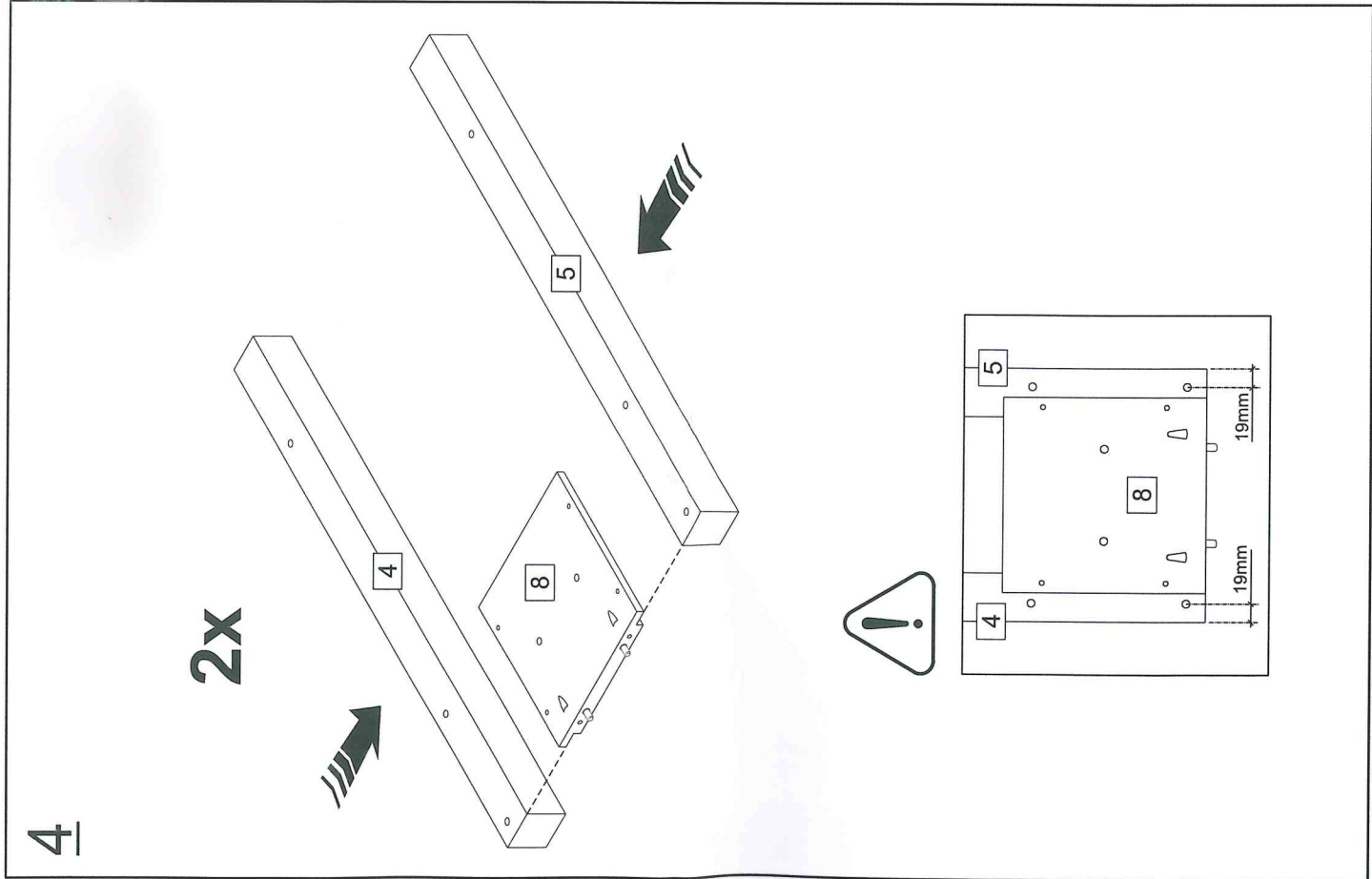


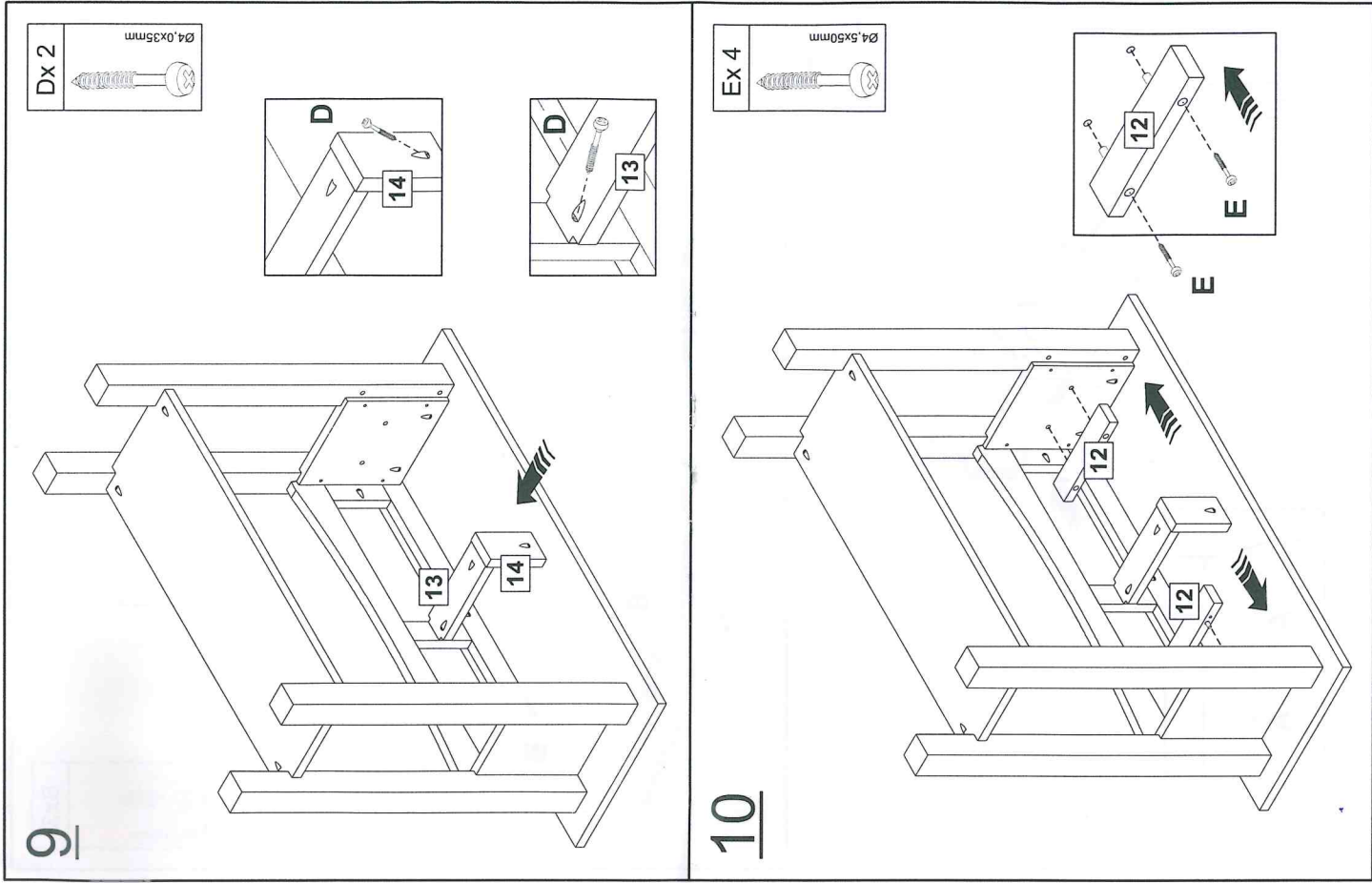
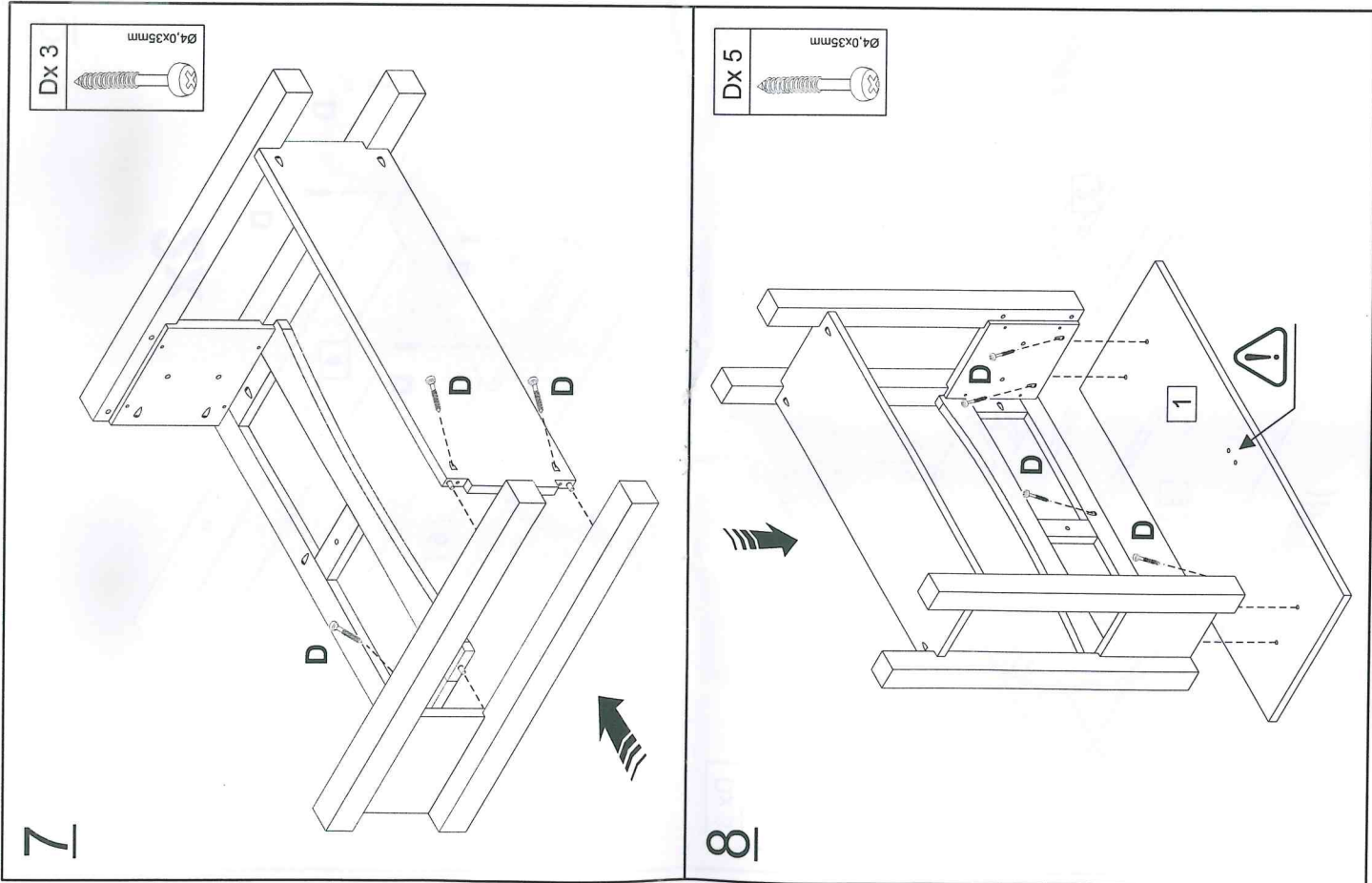
<p>A x 25</p>  <p>Ø8x30mm</p>	<p>E x 4</p>  <p>Ø4,5x50mm</p>
<p>B x 3</p>  <p>Ø3,5x14mm</p>	<p>F x 2</p>  <p>Ø5x19mm</p>
<p>C x 16</p>  <p>Ø3,5x30mm</p>	<p>G x 2</p> 
<p>D x 22</p>  <p>Ø4,0x35mm</p>	

		
	 <p>40 min</p>	
		

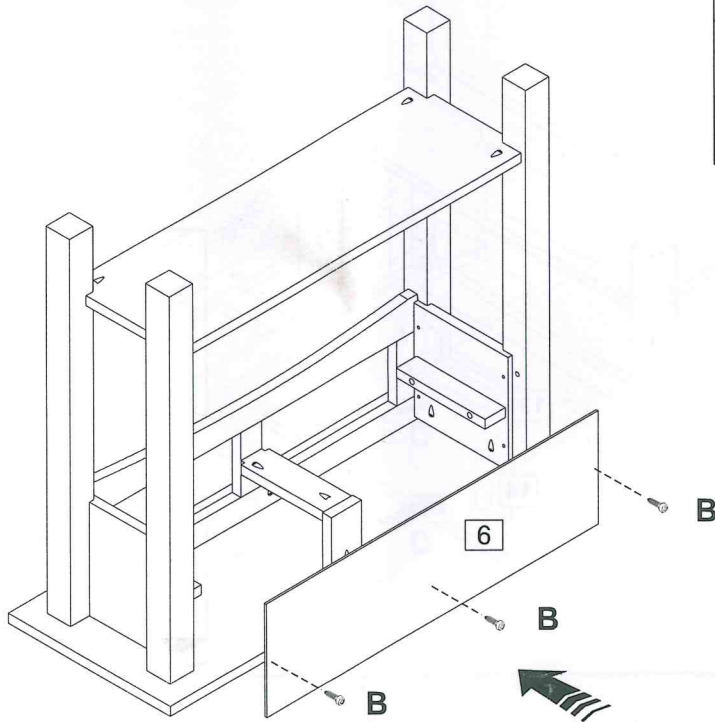






11

Bx3



12

Ax 4

